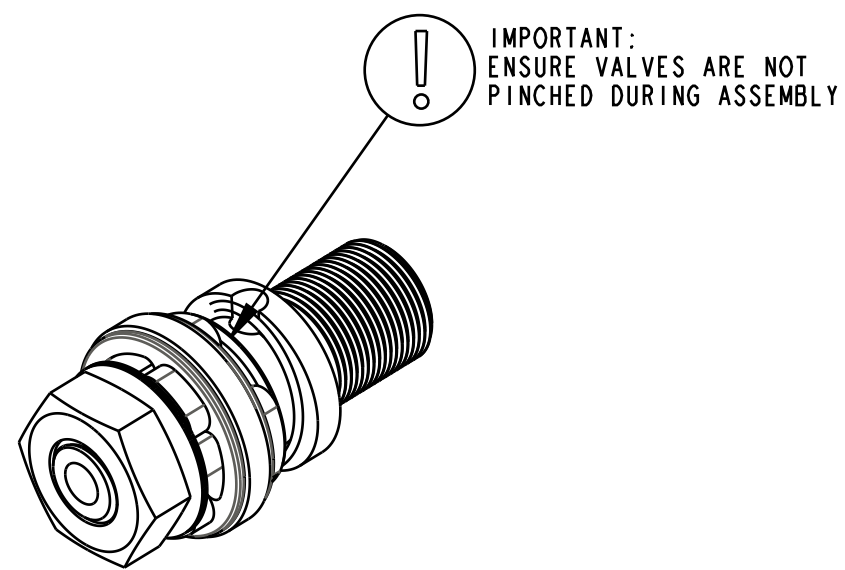


4

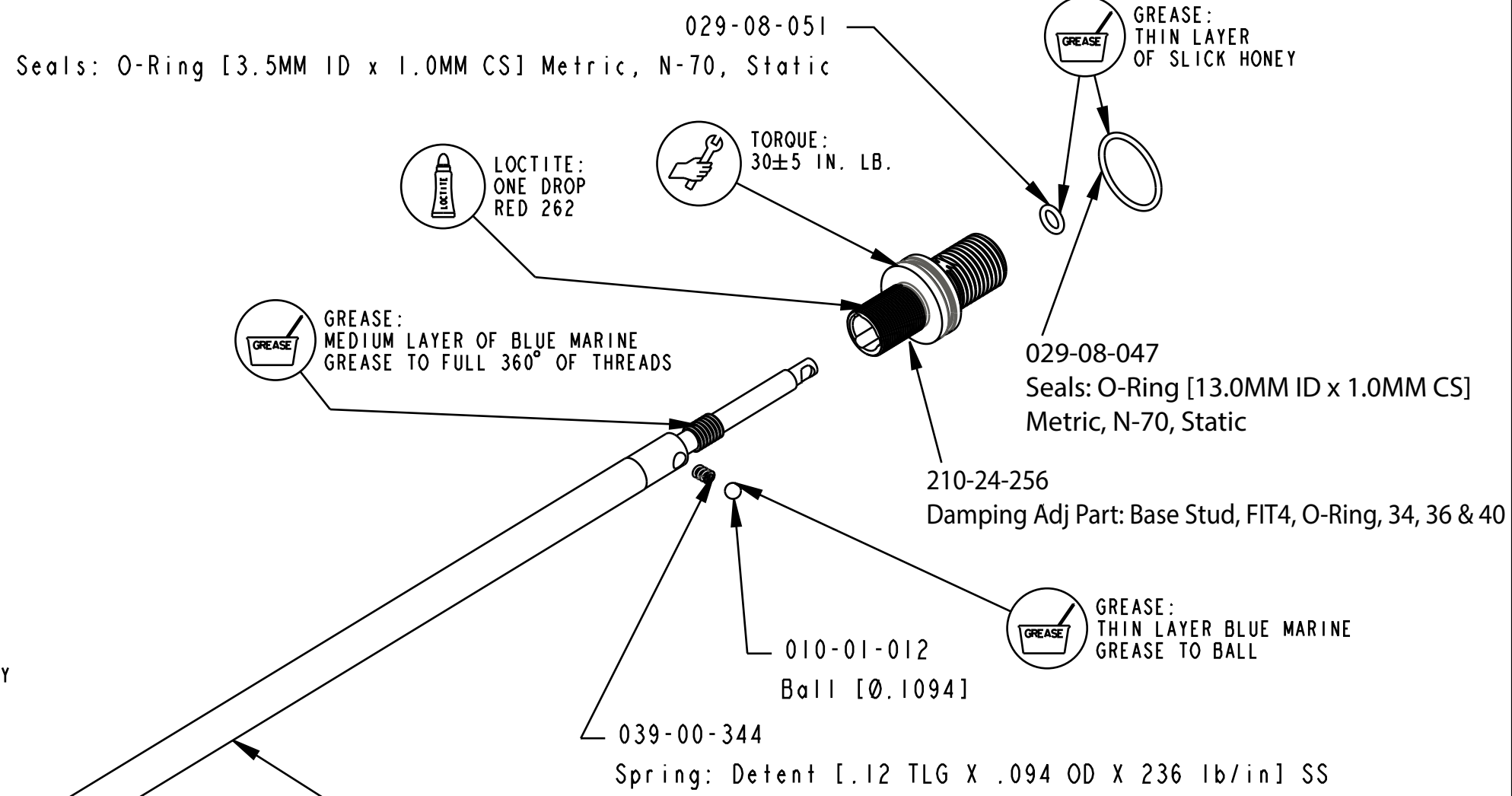
3

2

1



DETAIL A  
SCALE 2.000



GREASE: THIN LAYER OF SLICK HONEY ON BULLET TOOL

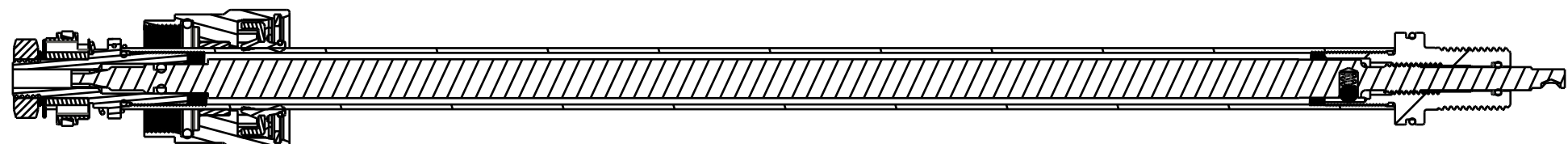
GREASE: THIN LAYER OF SLICK HONEY

210-22-896  
Rebound Adjust Needle, MY16, 36mm Chassis, FIT4

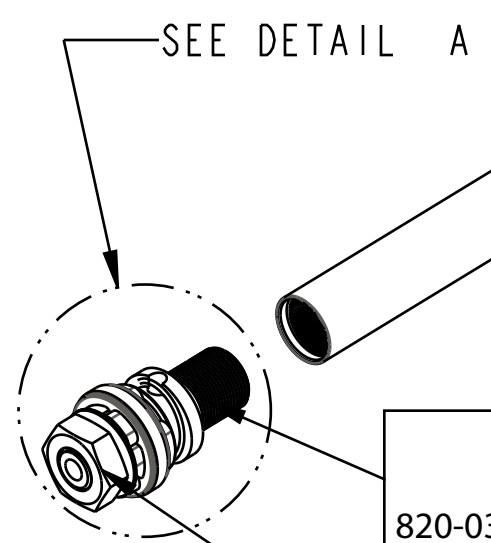
029-08-026  
Seals: O-Ring [2.0 MM ID x 1.5 MM CS] Metric, N-60, Static

820-03-464-KIT  
2016 FIT4 Bearing Housing Assy

229-10-136  
(T) Shaft, Damper, 10mm, MY16, 36mm Chassis, FIT4



SECTION A-A



REBOUND PISTON ASSEMBLIES:  
820-03-465-KIT: 2016 FIT4 Rebound Piston Assy  
820-03-595-KIT: 2019 FIT4 Rebound Piston Assy, E-Bike Tune

TORQUE:  
30±5 IN. LB.

PROPRIETARY - THIS DOCUMENT CONTAINS CONFIDENTIAL, PROPRIETARY INFORMATION THAT IS FOX PROPERTY. DO NOT DISCLOSE TO OR DUPLICATE FOR OTHERS EXCEPT AS AUTHORIZED BY FOX.

**FOX Factory, Inc.**  
130 Hangar Way, Watsonville, CA 95076 USA  
Ph 831-768-1100 Fax 831-768-9312

TITLE **2019 36 F-S FIT4 Remote Damper Shaft Assemblies**

SIZE DWG. NO. **C**

PLOT SCALE | .00 : 1 | SHEET | OF | 1