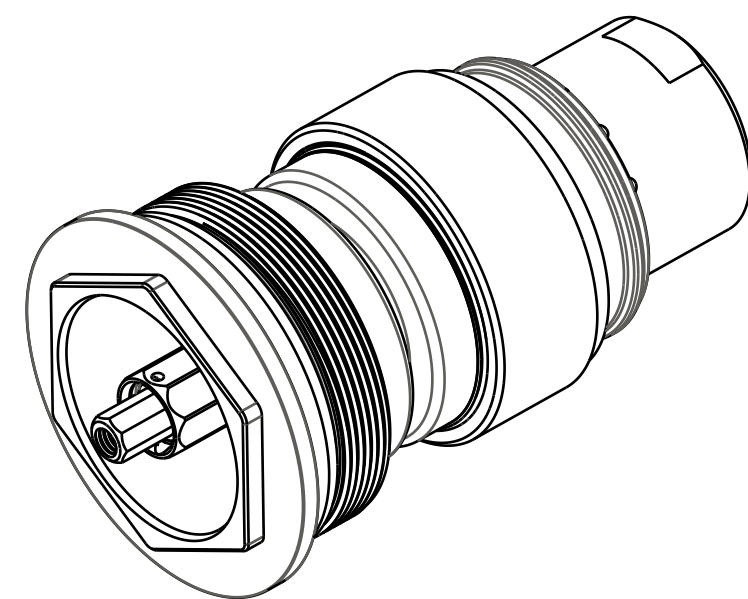


4

3

2

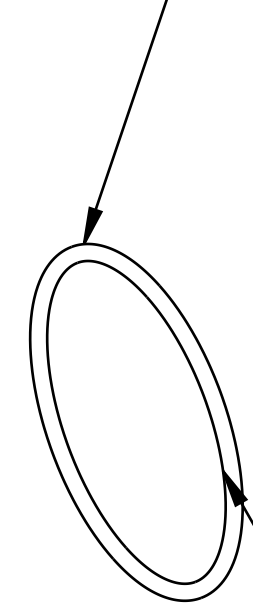
1



Body, Topcap, 36 FIT4, Black Ano

GREASE:  
THIN LAYER  
OF SLICK HONEY

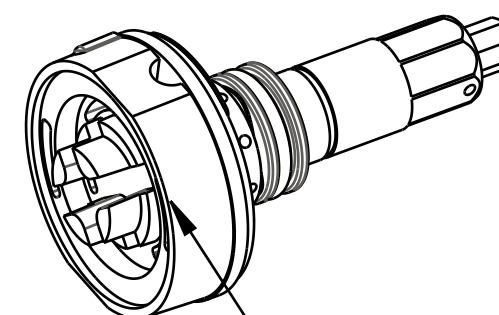
TORQUE:  
75±5 IN.LB.



029-08-178  
Seals: O-Ring [30.0mm X 1.5mm CS] Metric, N-70, Static

210-22-926  
Compression Clamp, FIT4, 36

TORQUE:  
75±5 IN.LB.



820-03-462-KIT  
2016 FIT4 F-S Top Cap Parts

GREASE:  
THIN LAYER  
OF SLICK HONEY

044-06-060  
Valve: [.600 X .252 X .006]

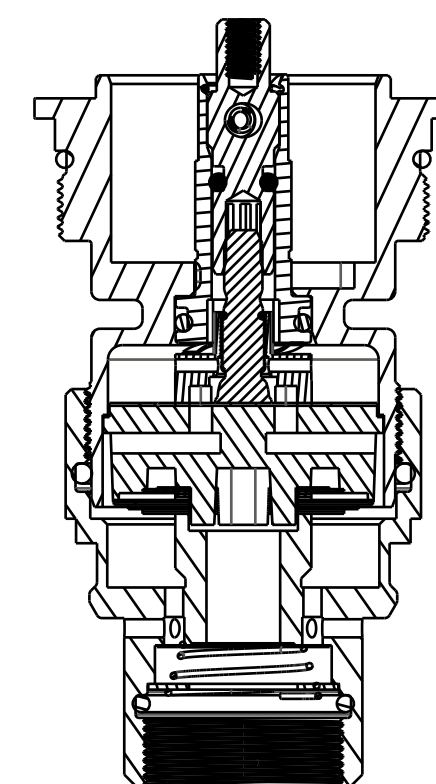
039-00-205  
Spring, Comp. Check

040-20-066  
Valve: [0.660 OD X 0.377 ID X 0.020 TH]

029-08-059  
Seals: O-Ring [16.5mm ID X 1.5mm CS] Metric, N-70, Static

COMPRESSION VALVING:  
820-03-544-KIT: 2018 FIT4 F-S Compression Valving Assy, E18  
820-03-596-KIT: 2019 FIT4 Compression Valving Assy, E-Bike Tune

029-03-023  
Seals: O-Ring [(-023) .070 C.S. X 1.051 ID] Standard, N-70, Static



**FOX** Factory, Inc. Ph 831-768-1100  
130 Hangar Way, Watsonville, CA 95076 USA Fax 831-768-9312

TITLE  
**2019 36 F-S FIT4  
Topcap Assemblies**

SIZE DWG. NO.

**C**

PLOT SCALE | .50 : 1 |

SHEET | OF | 1

- PROPRIETARY -  
THIS DOCUMENT CONTAINS CONFIDENTIAL, PROPRIETARY INFORMATION  
THAT IS FOX PROPERTY. DO NOT DISCLOSE TO OR DUPLICATE  
FOR OTHERS EXCEPT AS AUTHORIZED BY FOX.