

4

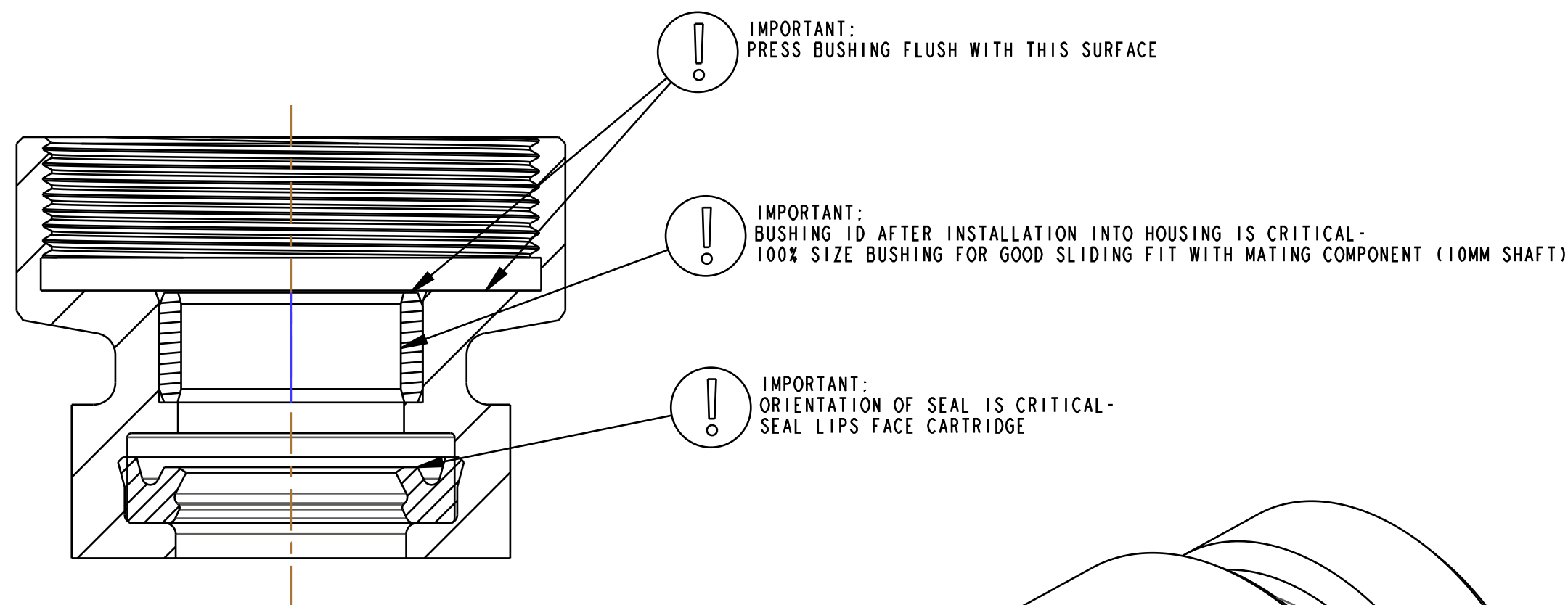
3

2

1

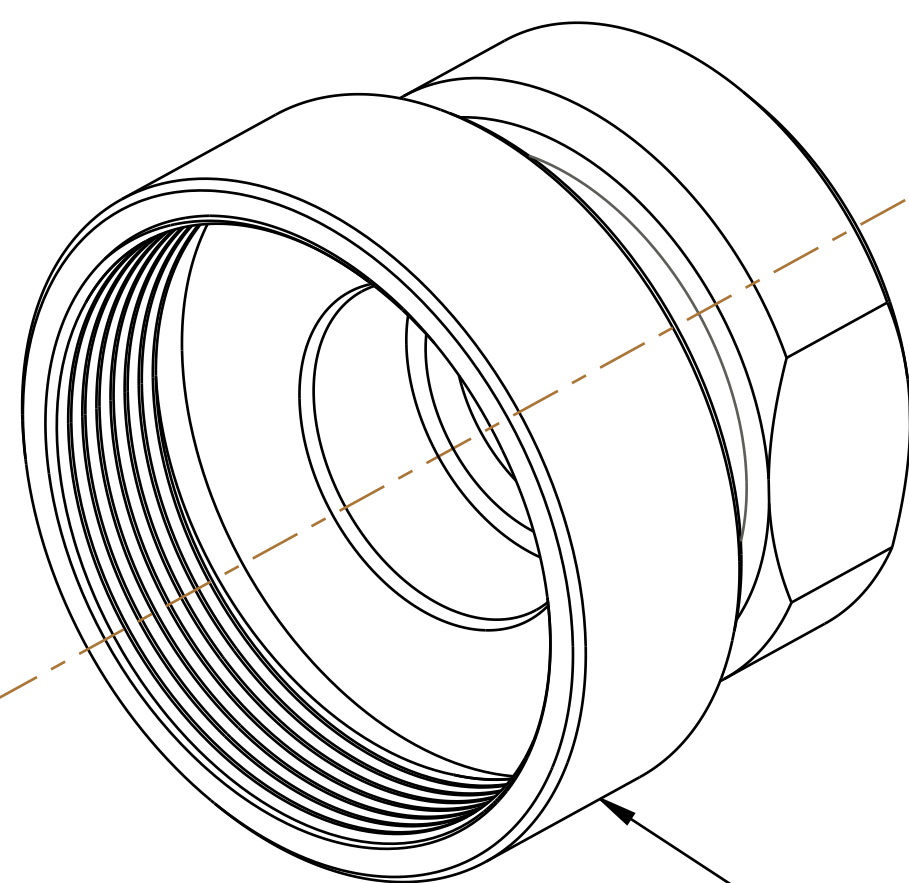
D

D



GREASE:
THIN LAYER
SLICK HONEY

SECTION A-A



036-02-126
Seal: U-cup, 10mm, 70D

Damping Adjust Part: 2019 Sealhead, Grip, All

Bearing Internal: 10mm ID X 12mm OD X 5mm THK

B

B

A

A

TITLE	 FOX Factory, Inc. 130 Hangar Way, Wilsonville, CA 95076 USA Ph 831-768-1100 Fax 831-768-9312	
	2019 Grip, All, Bearing Housing Assy	
SIZE	DWG. NO.	820-03-525-KIT
PLOT SCALE	4:1	SHEET 1 OF 1

- PROPRIETARY -
THIS DOCUMENT CONTAINS CONFIDENTIAL, PROPRIETARY INFORMATION
THAT IS FOX PROPERTY. DO NOT DISCLOSE TO OR DUPLICATE
FOR OTHERS EXCEPT AS AUTHORIZED BY FOX.

4

3

2

1