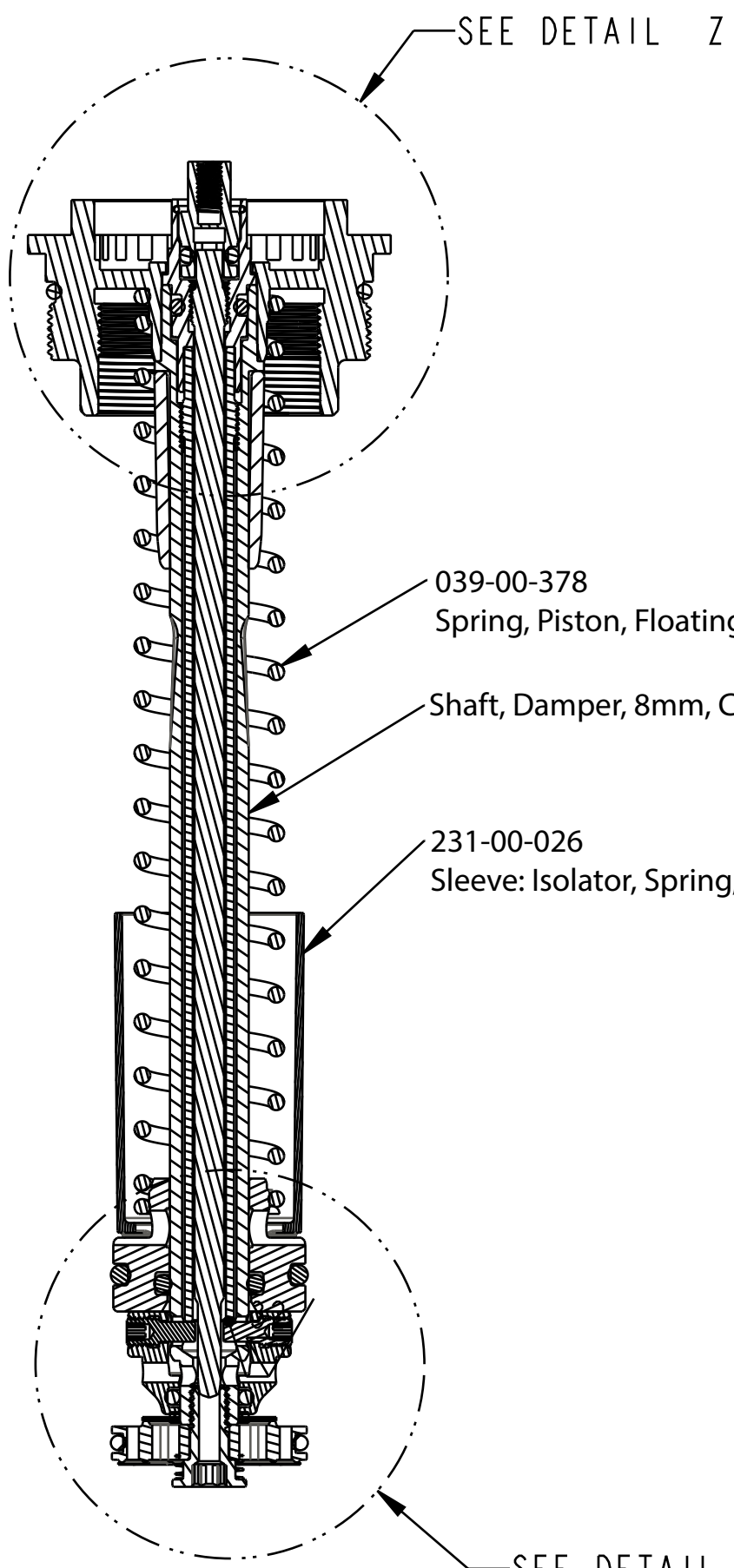


4

3

2

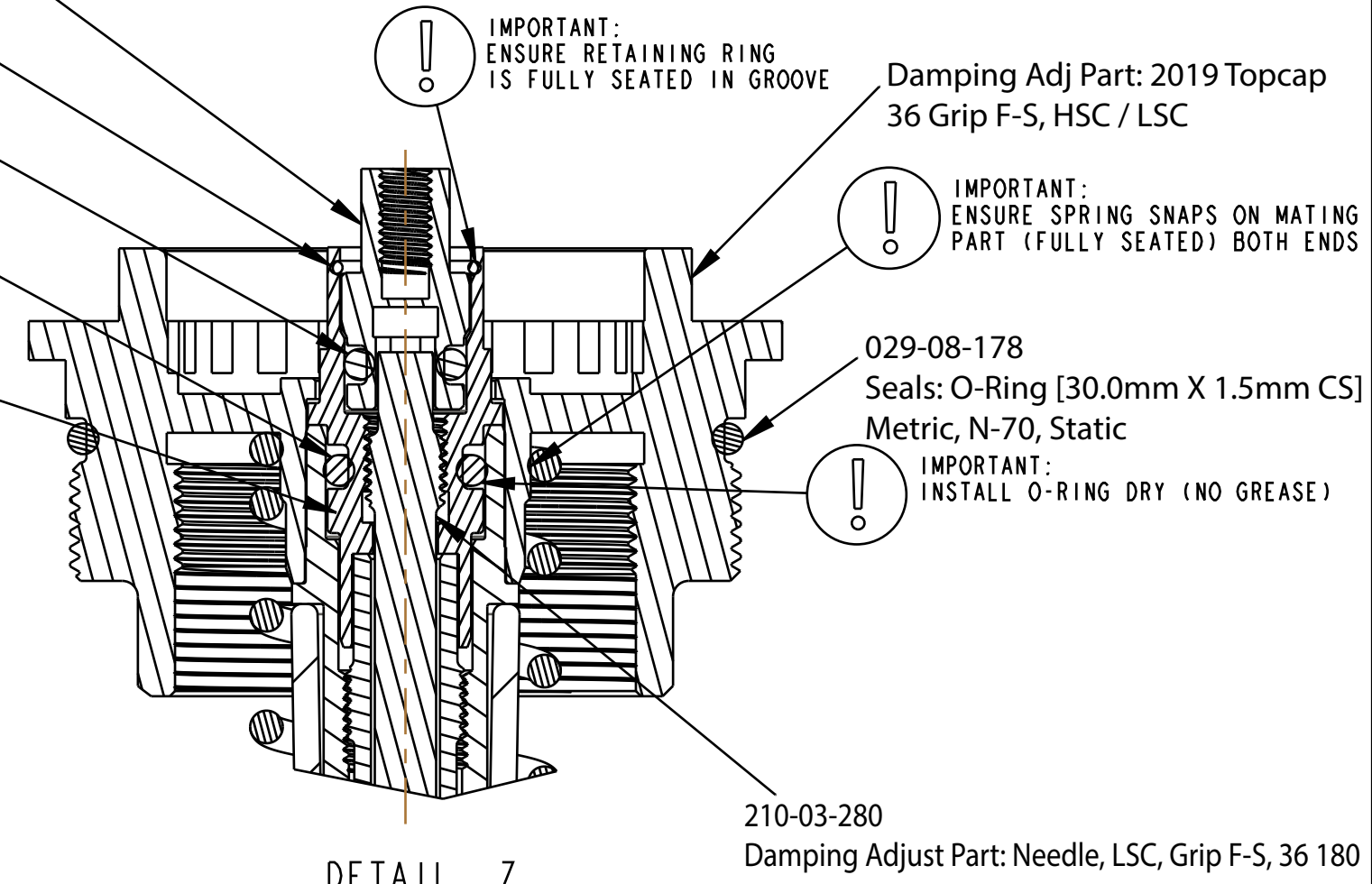
1



SECTION A-A

- 039-00-378
Spring, Piston, Floating, Grip 160
- Shaft, Damper, 8mm, Comp, Grip2, HSC / LSC, 36 180
- 231-00-026
Sleeve: Isolator, Spring, OD, Grip

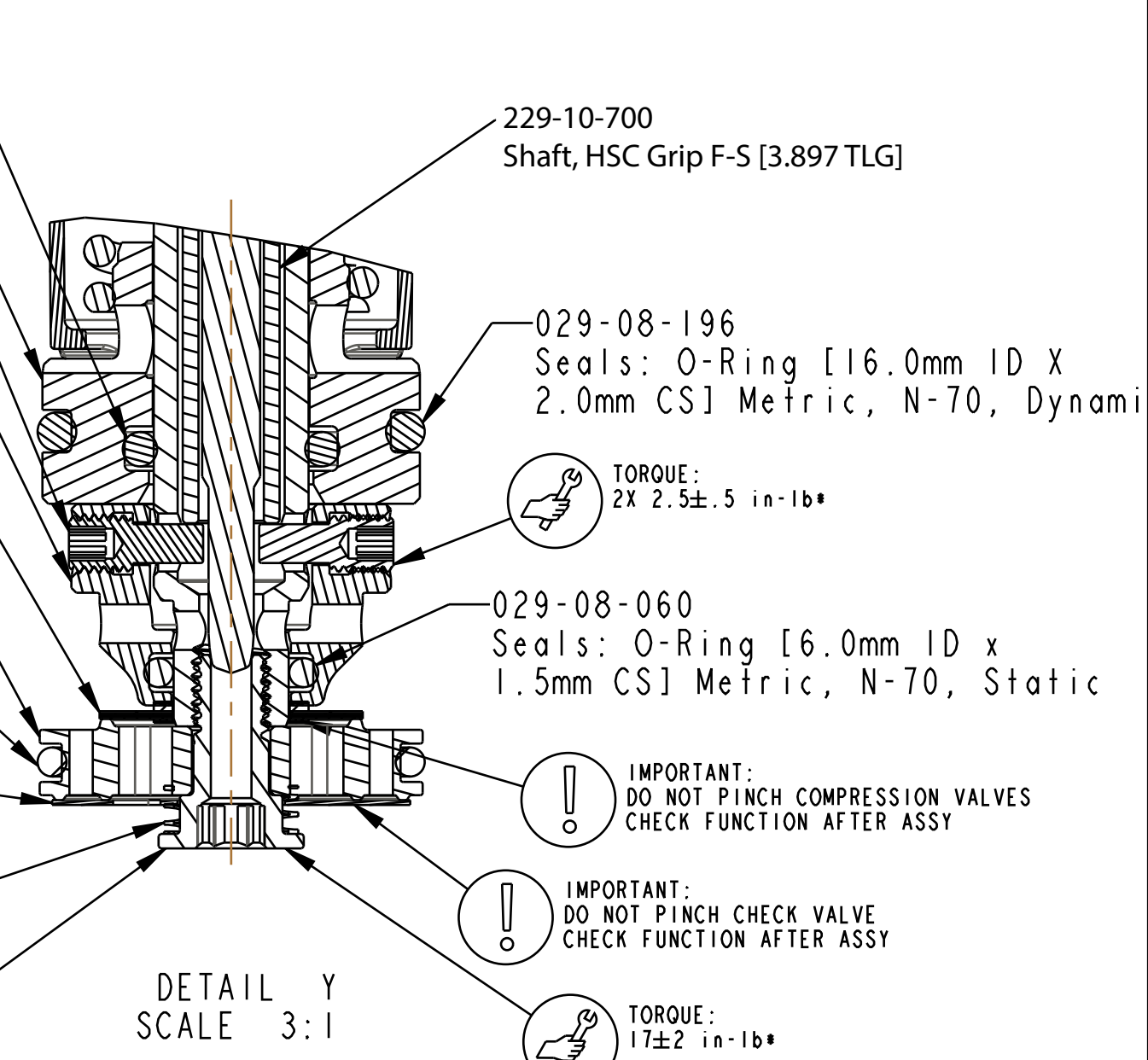
- Damping Adj Part: Coupler, LSC, Grip2
- 210-24-245
- Retaining Ring: Wire [.280 OD X .024 CS] SS
- 038-01-073
- Seals: O-Ring [3.0MM ID x 1.5MM CS] Metric, N-70, Static
- 029-08-068
- Seals: O-Ring [5.0MM ID x 1.5MM CS] Metric, N-90, Static
- 029-08-019
- Damping Adjust Part: HSC Grip2
- 210-24-392



DETAIL Z
SCALE 3:1

- Damping Adj Part: 2019 Topcap 36 Grip F-S, HSC / LSC
- IMPORTANT: ENSURE SPRING SNAPS ON MATING PART (FULLY SEATED) BOTH ENDS
- 029-08-178
Seals: O-Ring [30.0mm X 1.5mm CS] Metric, N-70, Static
- IMPORTANT: INSTALL O-RING DRY (NO GREASE)
- 210-03-280
Damping Adjust Part: Needle, LSC, Grip F-S, 36 180

- Seals: O-Ring [(-011) .070 C.S. X .301 ID] Standard, N-70, Static
- 029-03-011
- Piston Floating: IFP, Grip2
- 223-00-049
- Fastener Custom: Pin, Grip2
- 241-02-115
- Damping Adj Part: Valve Loader, HSC, Grip2
- 210-24-241
- 2019 Grip2 Compression Valving
- 820-03-530-KIT
- Piston Damping Comp 20.0 Bore
- 222-01-295
- Seals: O-Ring [17mm ID X 1.5mm CS], N-90, Static
- 029-08-188
- Valve: Metric [18.50mm OD X 5.55mm ID X 0.25mm THK] Custom, Check
- 045-00-151
- Spring, Comp Check, Grip2
- 039-00-398
- Fastener, Custom (Metric): Bolt Piston Comp Grip2
- 241-02-101



DETAIL Y
SCALE 3:1

- 229-10-700
Shaft, HSC Grip F-S [3.897 TLG]
- 029-08-196
Seals: O-Ring [16.0mm ID X 2.0mm CS] Metric, N-70, Dynamic
- TORQUE: 2X 2.5 ± .5 in-lb*
- 029-08-060
Seals: O-Ring [6.0mm ID x 1.5mm CS] Metric, N-70, Static
- IMPORTANT: DO NOT PINCH COMPRESSION VALVES CHECK FUNCTION AFTER ASSY
- IMPORTANT: DO NOT PINCH CHECK VALVE CHECK FUNCTION AFTER ASSY
- TORQUE: 17 ± 2 in-lb*

PROPRIETARY - THIS DOCUMENT CONTAINS CONFIDENTIAL, PROPRIETARY INFORMATION THAT IS FOX PROPERTY. DO NOT DISCLOSE TO OR DUPLICATE FOR OTHERS EXCEPT AS AUTHORIZED BY FOX.

FOX Factory, Inc.
 130 Hangar Way, Watsonville, CA 95076 USA
 Ph 831-768-1100 Fax 831-768-9312

TITLE **2019 36 Grip2 Damper, Topcap Assy**

SIZE DWG. NO. **C 820-05-415-KIT**

PLOT SCALE 1.5:1 SHEET 1 OF 3

4

3

2

ProE ASSEM