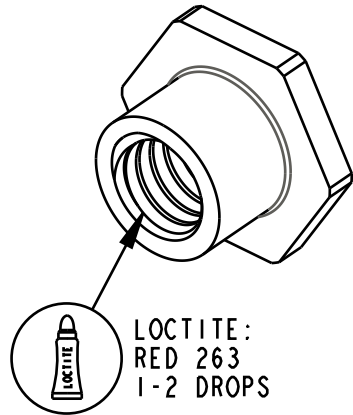


4

3

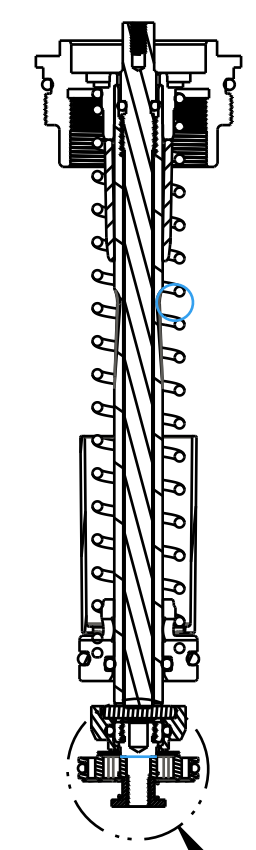
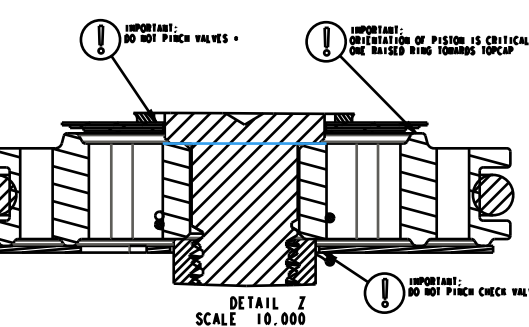
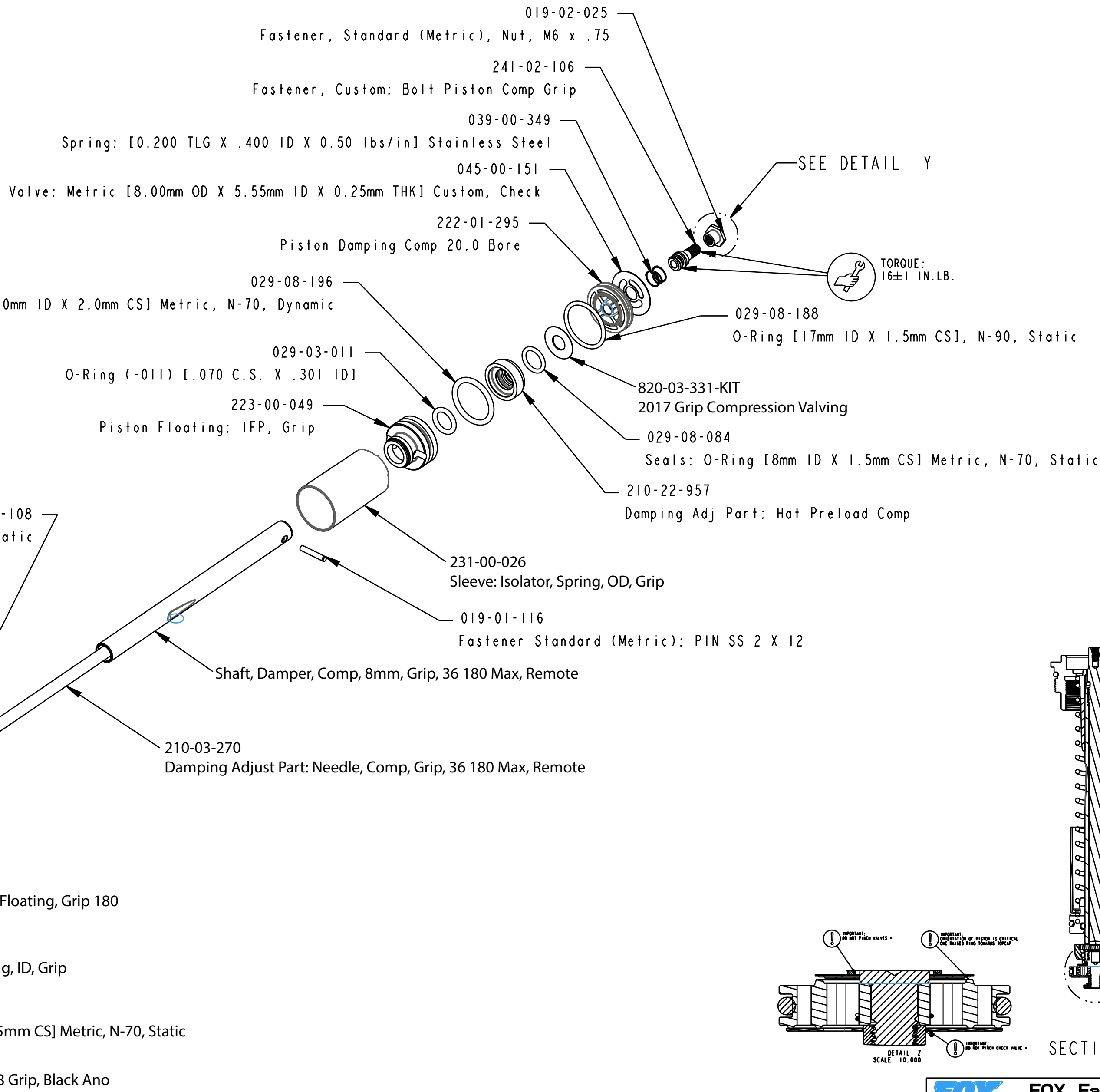
2

1



LOCTITE:
RED 263
1-2 DROPS

DETAIL Y
SCALE 4:1



SEE DETAIL Z

IMPORTANT:
NOTE ORIENTATION
THIS END TAPERED

PROPRIETARY
THIS DOCUMENT CONTAINS CONFIDENTIAL, PROPRIETARY INFORMATION
THAT IS FOX PROPERTY. DO NOT DISCLOSE TO OR DUPLICATE
FOR OTHERS EXCEPT AS AUTHORIZED BY FOX.

| | | | | |
|--|----------|--------------------------|--|-----------------|
| | | FOX Factory, Inc. | | Ph 831-768-1100 |
| 130 Hangar Way, Watsonville, CA 95076 USA | | Fox 831-768-9312 | | |
| 2019 36 180 MAX, Grip Remote, Topcap Assy | | | | |
| SIZE | DWG. NO. | 820-05-508-KIT | | |
| C | | | | |
| PLOT SCALE 0.80:1 | | SHEET 1 OF 1 | | |