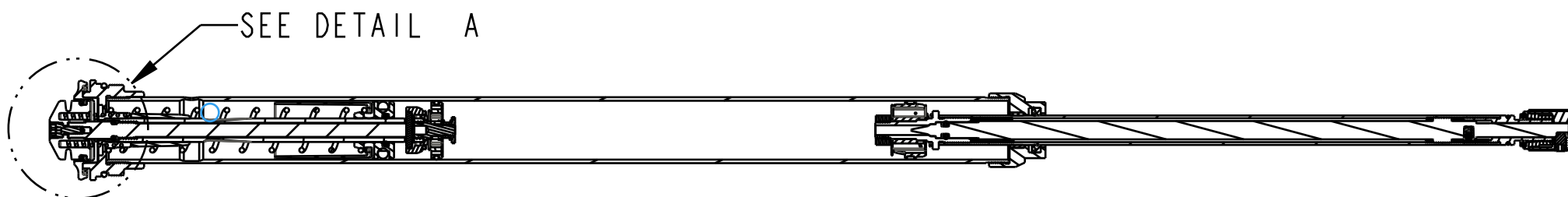


4

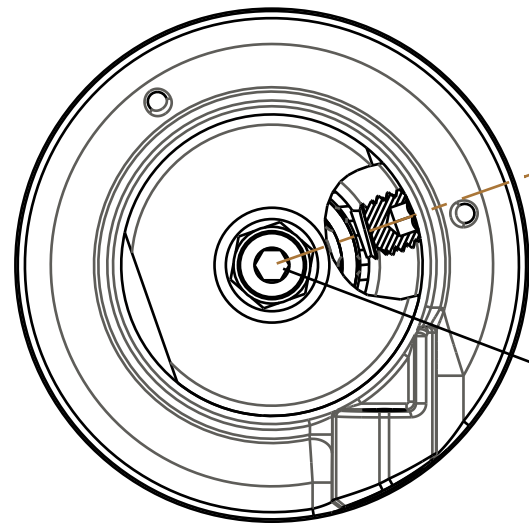
3

2

1



SECTION A-A
SCALE 0.500



SECTION C-C

WHEN LOCKED OUT, SET SCREW MUST BE 20°-60° FROM CABLE BOSS (AT 6 IN-LB).

TORQUE: NEEDLE TO 3.5 ± .25 IN-LB BEFORE INSTALLING REMOTE ASSEMBLY TORQUE TO 1.5 IN-LB FOR CARTRIDGE DYNO

820-05-445-KIT
2018 Grip Remote, Topcap Interface Parts

210-24-285
Cable Pulley Remote, Grip

TORQUE: 6 ± 1 IN-LB.

GREASE: THIN LAYER BLUE MARINE GREASE ID AND OD

Seals: U-Cup, Shore 70A, 2013 CTD-ADJ, Remote Fit-CTD and Remote O/C-CTD
Fastener: Custom (Metric): Socket Set Screw [M4 x .7mm x 3mm], SST, Patchlock

019-01-115
Fastener Standard (Metric): Screw, Socket Head, M2.5 X 8

TORQUE: 220 ± 5 IN-LB.

REFERENCE ONLY (FOR INSTALLATION INTO FORK)

210-24-259
Damping Adjust Part: Housing, Remote, Hubless, FIT4

039-00-404
Spring: Torsion, Remote, 2018 Grip

820-05-518-KIT
2019 36 Grip Bottom Stud Interface Parts

018-01-004-A
Fastener, Standard: Screw [#8-32 X 0.250 TLG] 303 SS, Socket Set Half Dog Point

TORQUE: 150 ± 7 in-lb

TORQUE: 3 ± .5 in-lb

LOCTITE: BLUE 242 OR 243 ONE DROP

241-01-011
Fastener, Custom: Crush Washer, Plastic, 13mm

241-00-022
Fastener, Custom: Nut, Bottom, 011

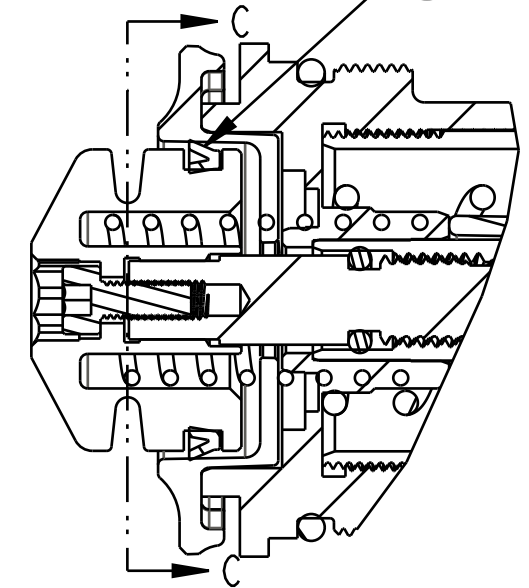
Seals: O-Ring [15mm ID x 1.5mm CS] Metric, N-70, Static

210-03-178
Knob, Rebound, 2-Stroke, Knurled, M10 Nut

241-00-043
Fastener, Custom: Cover, Nut, Rhythm 36

2019 36 Rhythm, 180 MAX, Grip Remote Cart Assy

IMPORTANT: NOTE SEAL ORIENTATION



DETAIL A
SCALE 2.000

FOX FOX Factory, Inc. Ph 831-768-1100
130 Hangar Way, Watsonville, CA 95076 USA Fax 831-768-9312

TITLE 2019 36 Rhythm, 180 MAX, Grip Remote Cart Assy Complete

SIZE DWG. NO. C 820-18-027-KIT

PLOT SCALE 0.75 SHEET 1 OF 1

PROPRIETARY - THIS DOCUMENT CONTAINS CONFIDENTIAL, PROPRIETARY INFORMATION THAT IS FOX PROPERTY. DO NOT DISCLOSE TO OR DUPLICATE FOR OTHERS EXCEPT AS AUTHORIZED BY FOX.

4

3

2

PROE ASSEM