

4

3

2

1

820-05-454-KIT  
2018 Grip P-S Topcap Interface Parts

TORQUE:  
4±1 in-lb

039-00-375  
Spring: Wave, 4 Turns, [.562 Bpre, .375 Shaft, .260 Height, 37.0 lb/in] SS

210-24-123  
Damping Adj Part: Detent, Molded, Grip

(210-24-123)

036-01-044  
Seals: U-Cip, Shore 70A, 2013 CTD-ADJ, Remote O/C-CTD

GREASE:  
THIN LAYER  
OF SLICK HONEY

210-24-249  
Damping Adj Part: Knob, Comp Selector, 34/36 Grip

2019 36 Rhythm, 180 MAX, Grip E-Bike Cart Assy

820-05-518-KIT  
2019 36 Grip Bottom Stud Interface Parts

241-01-011  
Fastener, Custom: Crush Washer, Plastic, 13mm

241-00-022  
Fastener, Custom: Nut, Bottom, 011

210-03-178  
Knob, Rebound, 2-Stroke, Knurled, M10 Nut

TORQUE:  
5.0±0.5 IN.LB.

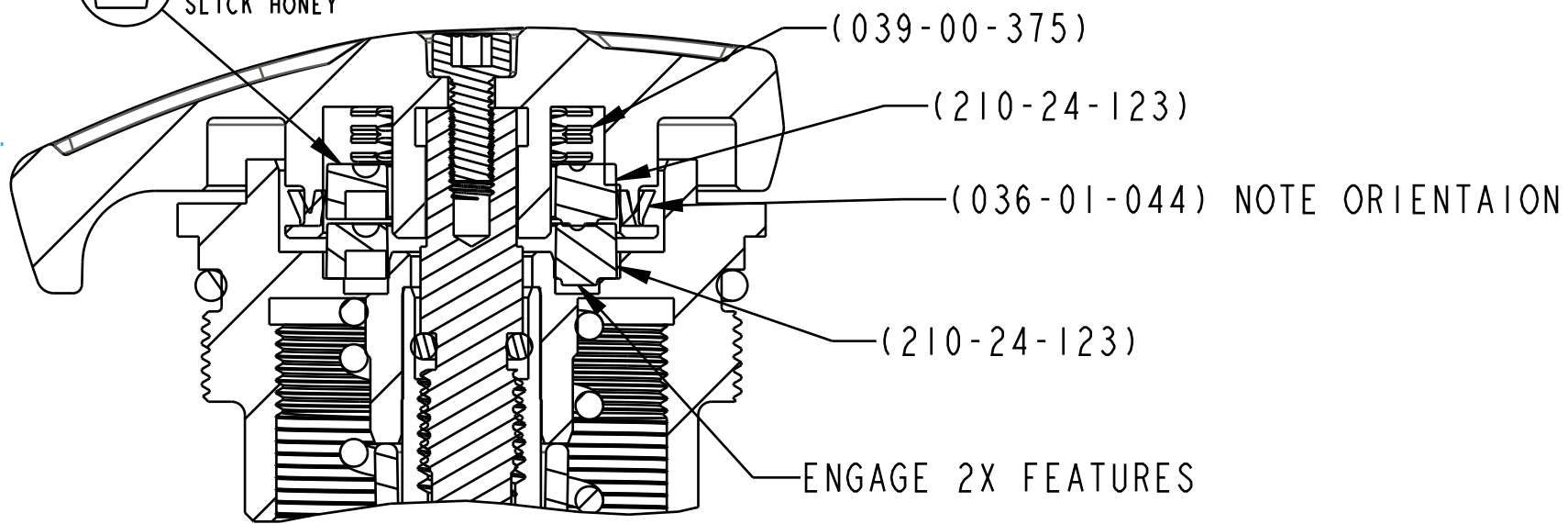
LOCTITE:  
BLUE 242 OR 243  
ONE DROP

TORQUE:  
1.50±7  
(IN-LB)

018-01-004-A  
Fastener, Standard: Screw [#8-32 X 0.250 TLG]  
303 SS, Socket Set Half Dog Point

REFERENCE ONLY  
(FOR INSTALLATION  
INTO FORK)

GREASE:  
LIBERALLY WITH  
SLICK HONEY



SECTION A-A  
SCALE 2.500

**FOX** FOX Factory, Inc. Ph 831-768-1100  
130 Hangar Way, Watsonville, CA 95076 USA Fax 831-768-9312

TITLE  
2019 36 27.5 & 29 180 MAX,  
Grip E-Bike Cart Assy Complete

SIZE DWG. NO.  
C 820-18-138-KIT

PLOT SCALE 0.75:1

SHEET 1 OF 2

- PROPRIETARY -  
THIS DOCUMENT CONTAINS CONFIDENTIAL, PROPRIETARY INFORMATION  
THAT IS FOX PROPERTY. DO NOT DISCLOSE TO OR DUPLICATE  
FOR OTHERS EXCEPT AS AUTHORIZED BY FOX.

4

3

2

ProE ASSEM