

4

3

2

1

D

D

045-00-160
Valve: Metric [17.35mm OD X 7mm ID X 0.15mm THK]

210-24-171
Damping Adj Part: Piston Stud, 6mm

* PISTON ORIENTATION IS CRITICAL
SMALL PORTS FACE NUT

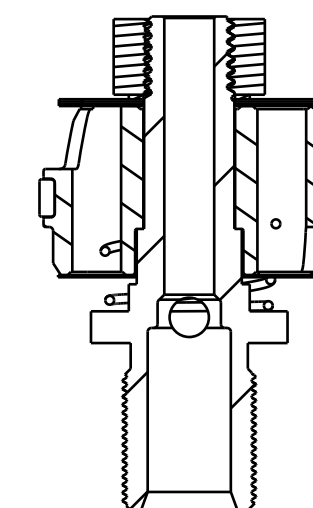
039-00-120
Spring: Rebound Check, 09 36_40

002-02-076
Bearing, External: Glide Ring, Molded, Z-Cut, 20.0 Bore

Piston, Damping, Rebound, PM, 18.5 Bore

820-03-457-KIT
2017 Grip Rebound Valving, Long Travel

019-00-018
Fastener, Standard (Metric), Nut, M6 x .75



SECTION A-A

C

B

A

FOX FOX Factory, Inc. Ph 831-768-1100
130 Hangar Way, Watsonville, CA 95076 USA Fax 831-768-9312

TITLE
2017 Grip Rebound Piston Assy

SIZE DWG. NO. **C** 820-03-330-KIT

PLOT SCALE 2.00:1 SHEET 1 OF 1

- PROPRIETARY -
THIS DOCUMENT CONTAINS CONFIDENTIAL, PROPRIETARY INFORMATION
THAT IS FOX PROPERTY. DO NOT DISCLOSE TO OR DUPLICATE
FOR OTHERS EXCEPT AS AUTHORIZED BY FOX.

4

3

2

1