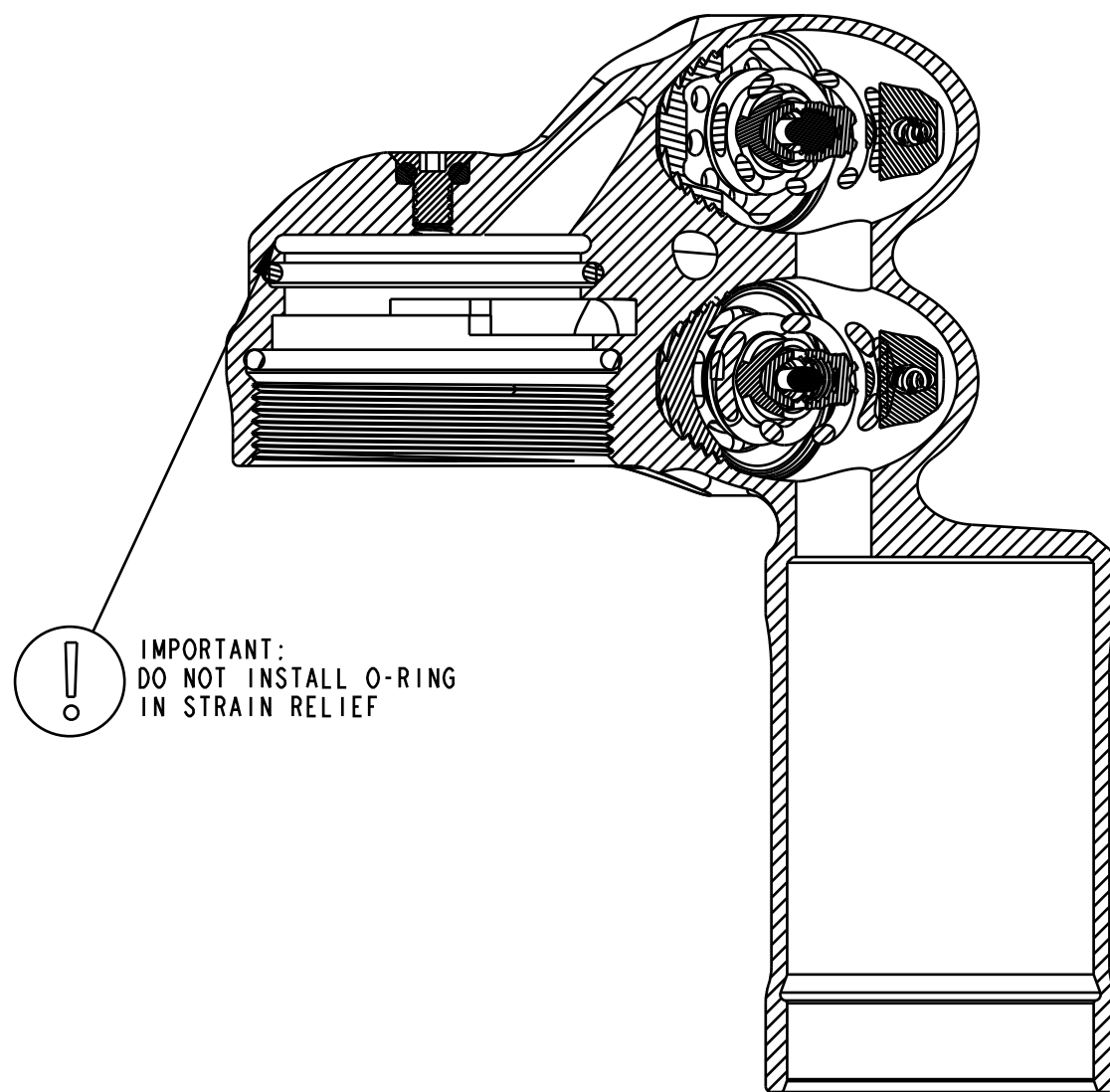


4

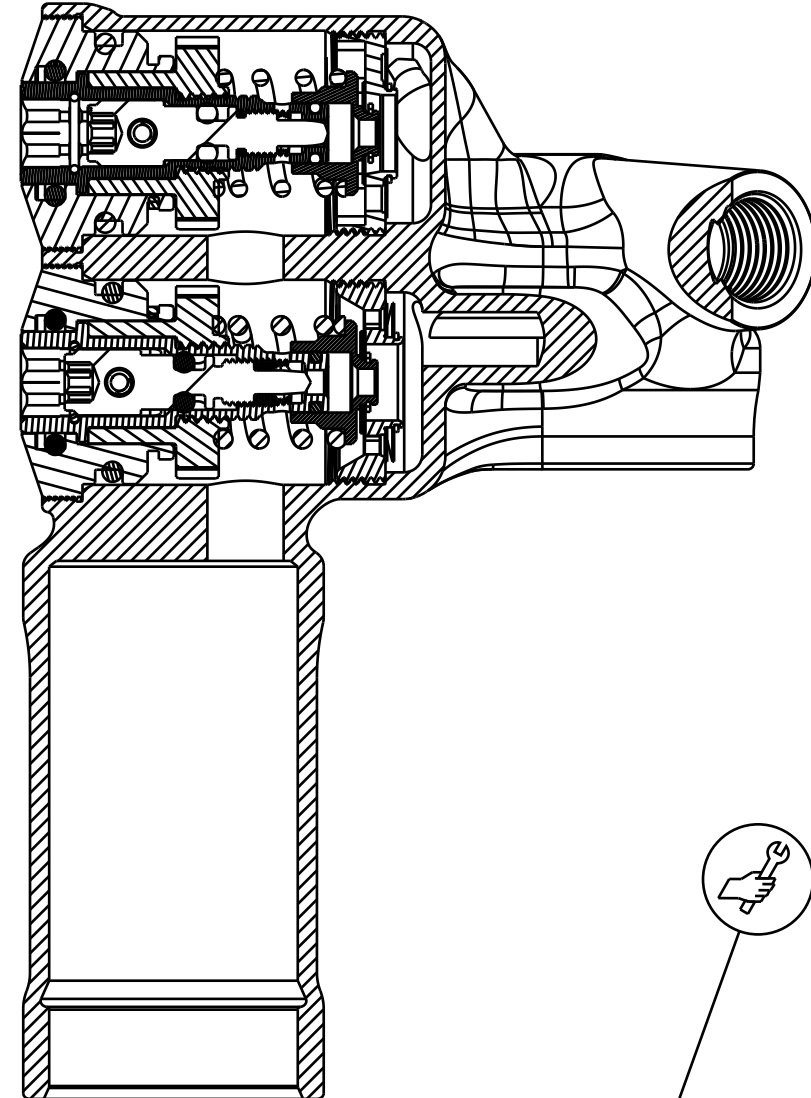
3

2

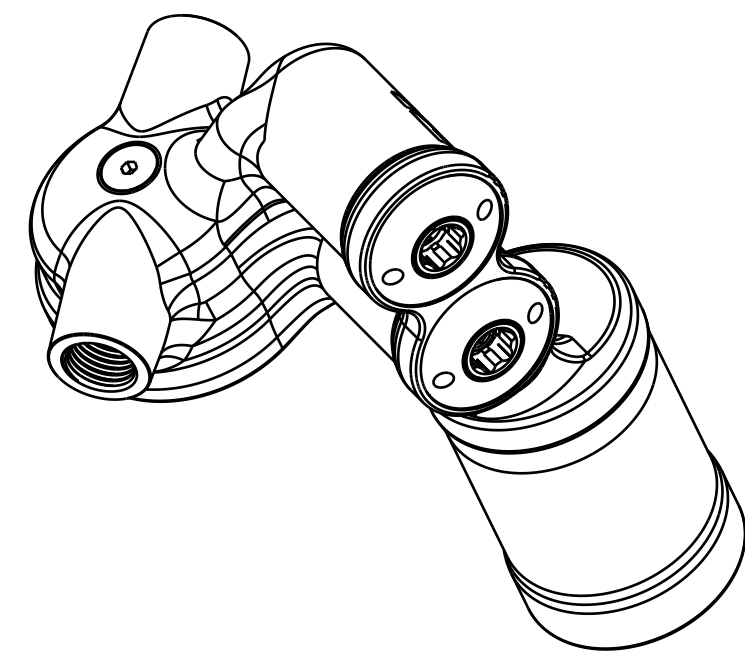
1



SECTION A-A
SCALE 1.500



SECTION B-B
SCALE 1.500



IMPORTANT:
DO NOT INSTALL O-RING
IN STRAIN RELIEF

TORQUE:
14±2 IN. LB.

Eyelet: X2, Increased IFP Flow, Standard Mounting

018-01-026
Screw [#6-32 X .250 TLG]

029-03-006
O-Ring (-006) [.070 C.S. X .114 ID]

GREASE:
THIN LAYER
OF SLICK HONEY

Seals: O-Ring [(-023) .070 C.S. X 1.051 ID] Standard, N-70, Static

029-03-023
O-Ring (-025) [.070 C.S. X 1.176 ID]

GREASE:
THIN LAYER
OF SLICK HONEY

815-02-070-KIT
Valve Seat Assy: Compression, .265in Bore, X2

IMPORTANT:
DO NOT MIX

815-02-066-KIT
Damping Adj Assy: Cartridge, Compression, X2, .868in Bore Piston

TORQUE:
80±5 IN. LB.

815-02-065-KIT
Damping Adj Assy: Cartridge, Rebound, X2, .868in Bore Piston

815-02-063-KIT
Valve Seat Assy: Rebound, .247in Bore, X2

TORQUE:
80±5 IN. LB.
LEFT HAND THREAD

FOX FOX Factory, Inc. Ph 831-768-1100
130 Hangar Way, Watsonville, CA 95076 USA Fax 831-768-9312

TITLE Eyelet Assy: 2018 Float X2
Metric/Imperial, F-S

SIZE DWG. NO. **C** 808-17-329-KIT

PLOT SCALE | .00 : 1 | SHEET | OF |

- PROPRIETARY -
THIS DOCUMENT CONTAINS CONFIDENTIAL, PROPRIETARY INFORMATION
THAT IS FOX PROPERTY. DO NOT DISCLOSE TO OR DUPLICATE
FOR OTHERS EXCEPT AS AUTHORIZED BY FOX.

4

3

2

ProE ASSEM