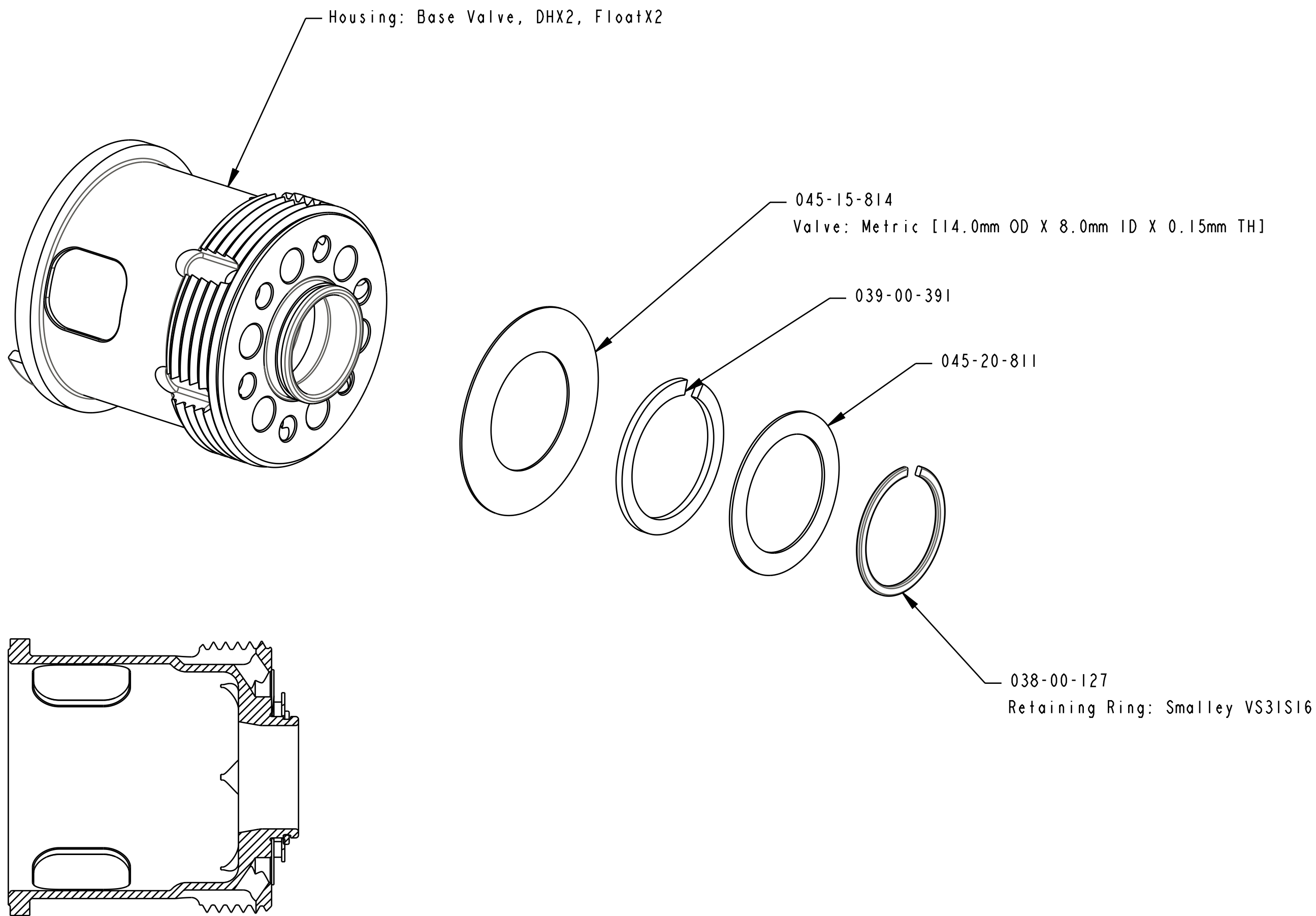


4

3

2

1



SECTION A-A

**FOX** **FOX Factory, Inc.** Ph 831-768-1100  
 130 Hangar Way, Watsonville, CA 95076 USA Fax 831-768-9312

TITLE  
 Valve Seat Assy: 2018, X2,  
 2pos-Adj

SIZE DWG. NO. **815-02-083-KIT**

PLOT SCALE 4.00:1

SHEET 1 OF 1

- PROPRIETARY -  
 THIS DOCUMENT CONTAINS CONFIDENTIAL, PROPRIETARY INFORMATION  
 THAT IS FOX PROPERTY. DO NOT DISCLOSE TO OR DUPLICATE  
 FOR OTHERS EXCEPT AS AUTHORIZED BY FOX.

4

3

2

1