

D

D

C

C

B

B

A

A

038-00-138  
Retaining Ring: Internal, Round Wire [.031 Wire OD, .265 free ID]

010-01-002-A  
Ball [Ø 0.0938] 52100 Grade 25 Steel, Chrome

210-24-030  
Adjuster: Base Valve, LSC, FloatX2

Valve Body RC Compression Blue, 2018

GREASE:  
THIN LAYER  
OF SLICK HONEY

GREASE:  
THIN LAYER  
OF SLICK HONEY

GREASE:  
THIN LAYER  
OF SLICK HONEY

234-04-954  
Insert, Valve Body, FLOAT X2, DHX2

039-00-243  
Spring: Detent [.138 TLG, .087 OD, 48 lb/in]

GREASE:  
THIN LAYER  
OF SLICK HONEY

(010-00-002-A)

029-00-004  
O-Ring (-004) [.070 C.S. X .070 ID]

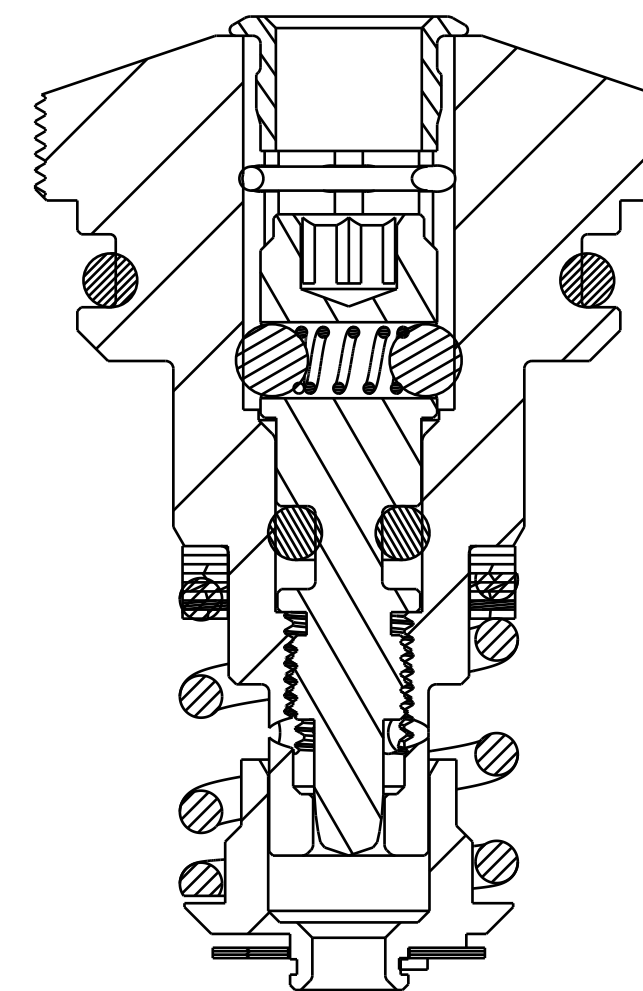
(045-00-197)

029-00-015  
O-Ring (-015) [.070 C.S. X .551 ID]

045-00-197  
Valve: Metric [11.0mm OD x 8.035mm ID x 0.3mm TH]

039-00-407  
Spring: High Speed [.420 TLG X .330 ID X 100 lb/in]

815-02-064-KIT  
Damping Adj Assy: Poppet, X2, .077 Triangle



SECTION A-A  
SCALE 4.000

**FOX** **FOX Factory, Inc.** Ph 831-768-1100  
130 Hangar Way, Watsonville, CA 95076 USA Fax 831-768-9312

TITLE  
Damping Adj Assy: 2018  
X2, Compression, P-S

SIZE DWG. NO. **815-00-080-KIT**

PLOT SCALE 2.00:1

SHEET 1 OF 1

- PROPRIETARY -  
THIS DOCUMENT CONTAINS CONFIDENTIAL, PROPRIETARY INFORMATION  
THAT IS FOX PROPERTY. DO NOT DISCLOSE TO OR DUPLICATE  
FOR OTHERS EXCEPT AS AUTHORIZED BY FOX.