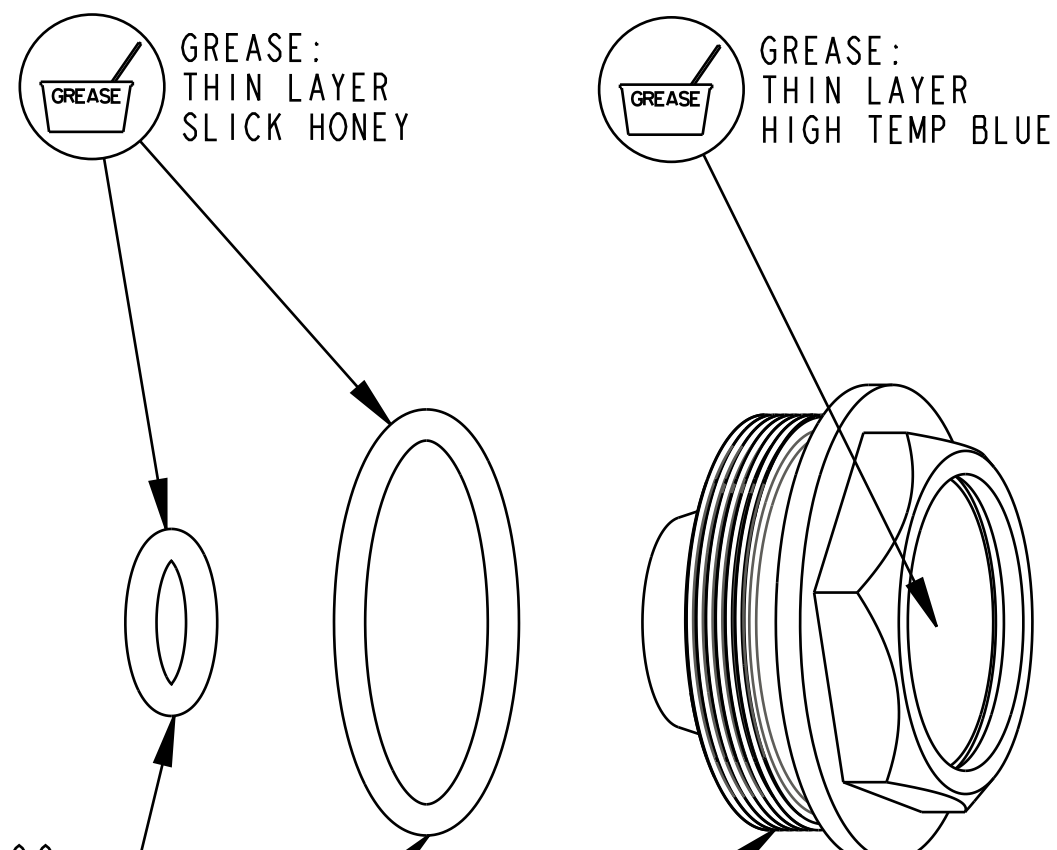
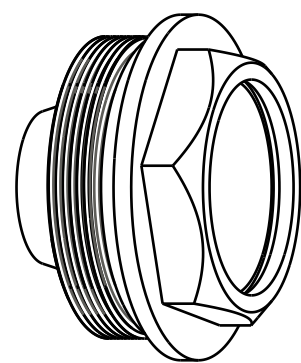


4

3

2

1



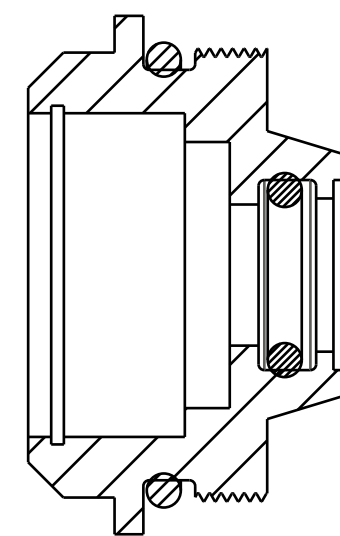
Seals: O-Ring [6.0mm ID x 1.5mm CS] Metric, N-70, Static

029-08-060

Seals: O-Ring [17.5MM ID x 1.5MM CS] Metric, N-70, Static

029-08-071

End Cap: FLOAT DPX2, Compression Side, F-S



SECTION A-A
SCALE 3.000

FOX **FOX Factory, Inc.** Ph 831-768-1100
130 Hangar Way, Watsonville, CA 95076 USA Fax 831-768-9312

TITLE Eyelet Cap Assembly:
DPX2, Compression, F-S

SIZE DWG. NO. **804-00-154-KIT**

PLOT SCALE 2.00:1

SHEET 1 OF 1

PROPRIETARY
THIS DOCUMENT CONTAINS CONFIDENTIAL, PROPRIETARY INFORMATION
THAT IS FOX PROPERTY. DO NOT DISCLOSE TO OR DUPLICATE
FOR OTHERS EXCEPT AS AUTHORIZED BY FOX.

4

3

2