

.030-.047
[0,77-1,19]
PLATE LIFT FROM CLOSED TO MIDDLE POSITION, ALL NON REMOTES + IRD

.072-.090
[1,83-2,29]
PLATE LIFT FROM CLOSED TO OPEN POSITION, ALL CABLE REMOTES EXCEPT NOTE

USE .030-.047 LIFT SPEC FROM CLOSED TO OPEN FOR REMOTES WITH
210-30-090 OR 210-30-115 CAMS (TREK)

SPACERS MAY BE ADDED OR REMOVED TO ADJUST NUMBER OF
REBOUND CLICKS.

805-02-304-KIT
Piston Assy: Damping, FLOAT DPS Anti-Clunk, Linear

TORQUE:
60 +/- 5 IN-LB
CUSTOM SOCKET 398-00-637

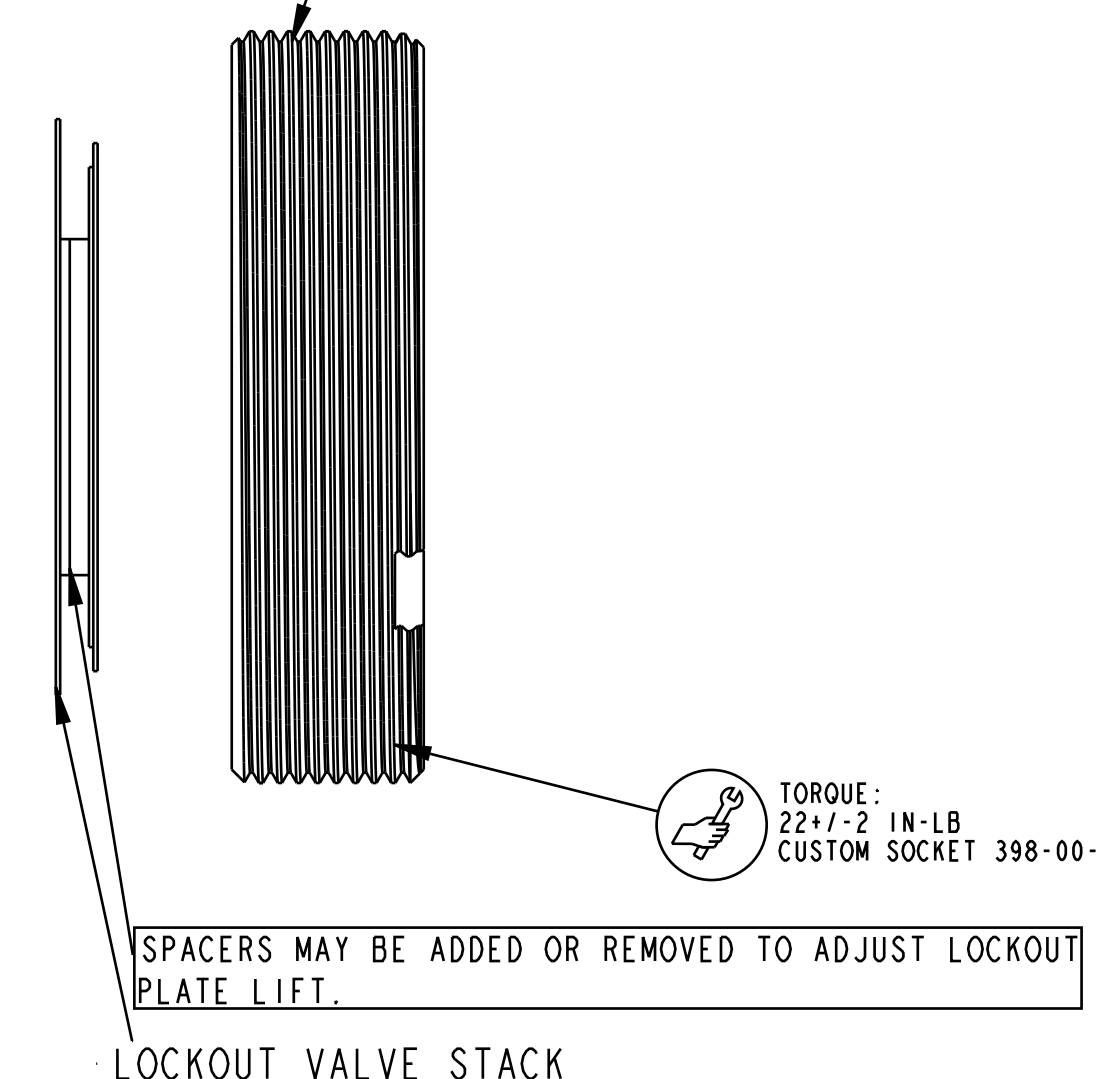
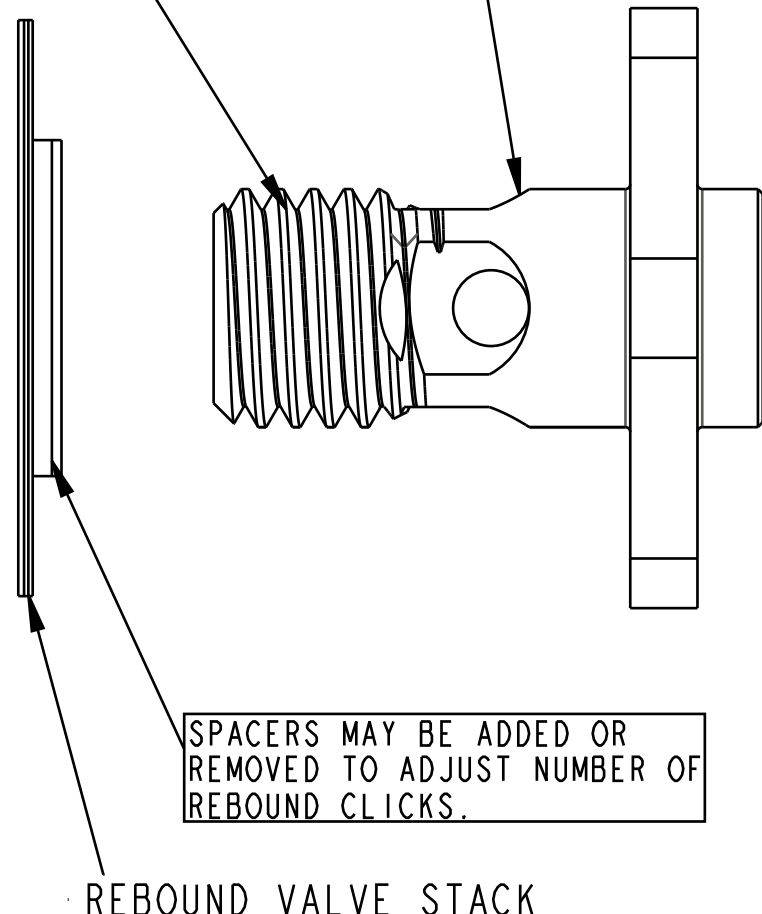
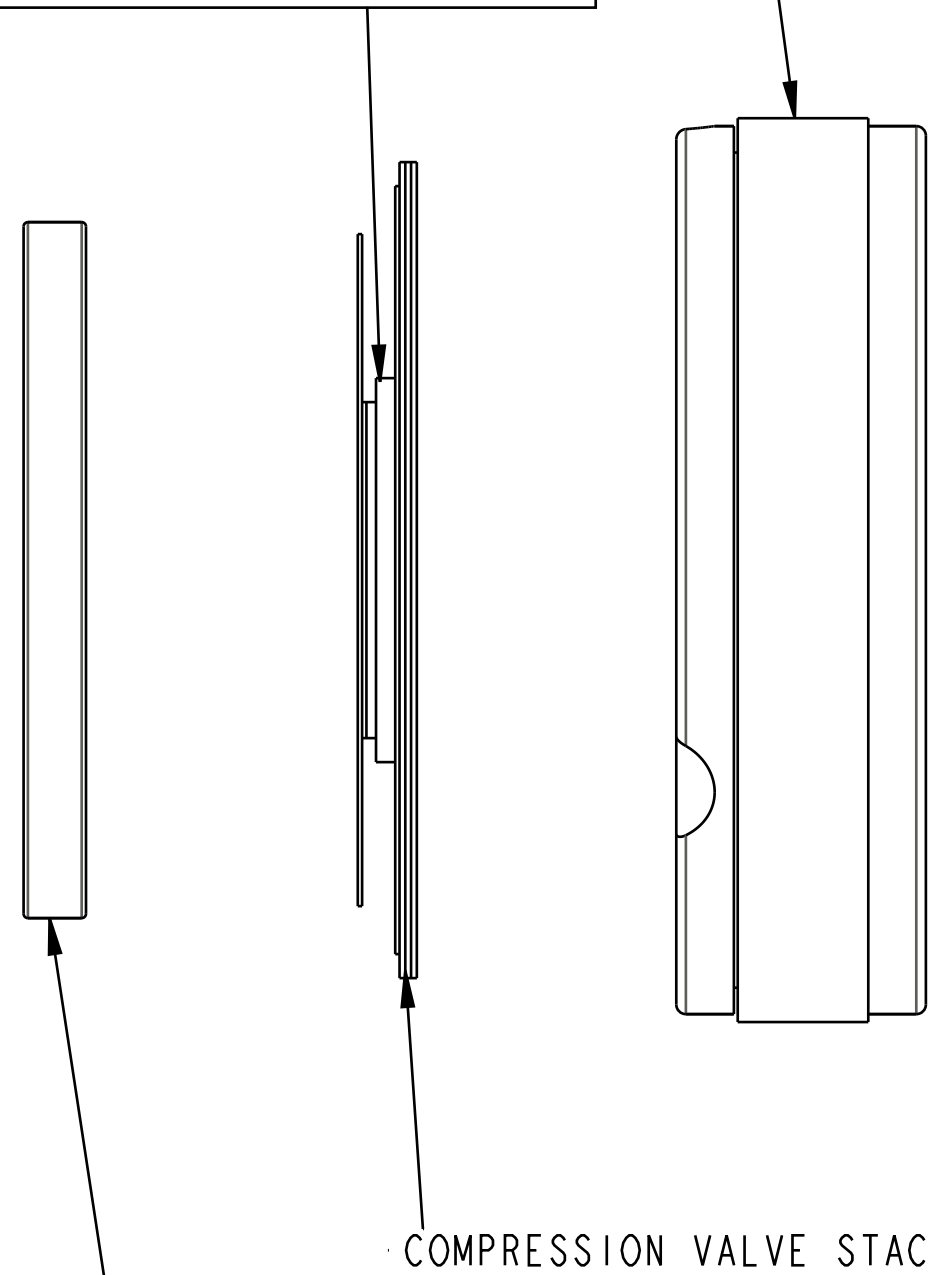
210-10-120
Piston Bolt: Float DPS w/ Check 2mm Cross Holes [1/4-28 X 5/8 Hex]

222-01-316
Piston: Lockout, Float DPS V3 [.200 TLG, M20 X 0.5] 416SS

TORQUE:
22 +/- 2 IN-LB
CUSTOM SOCKET 398-00-638

SPACERS MAY BE ADDED OR
REMOVED TO ADJUST NUMBER OF
REBOUND CLICKS.

SPACERS MAY BE ADDED OR REMOVED TO ADJUST LOCKOUT
PLATE LIFT.



210-10-098
FLOAT MY2013 Check Piston [.700 OD X .252 ID X .065 TH] Round CNC, SS

REBOUND VALVE STACK

LOCKOUT VALVE STACK

COMPRESSION VALVE STACK

FOX FOX Factory, Inc. Ph 831-768-1100
130 Hangar Way, Watsonville, CA 95076 USA Fax 831-768-9312

TITLE Valving Assy: 2019 Float DPS,
Remote, Linear piston

SIZE DWG. NO. 807-06-401-KIT

PLOT SCALE 2.00:1 SHEET 1 OF 1

PROPRIETARY -
THIS DOCUMENT CONTAINS CONFIDENTIAL, PROPRIETARY INFORMATION
THAT IS FOX PROPERTY. DO NOT DISCLOSE TO OR DUPLICATE
FOR OTHERS EXCEPT AS AUTHORIZED BY FOX.