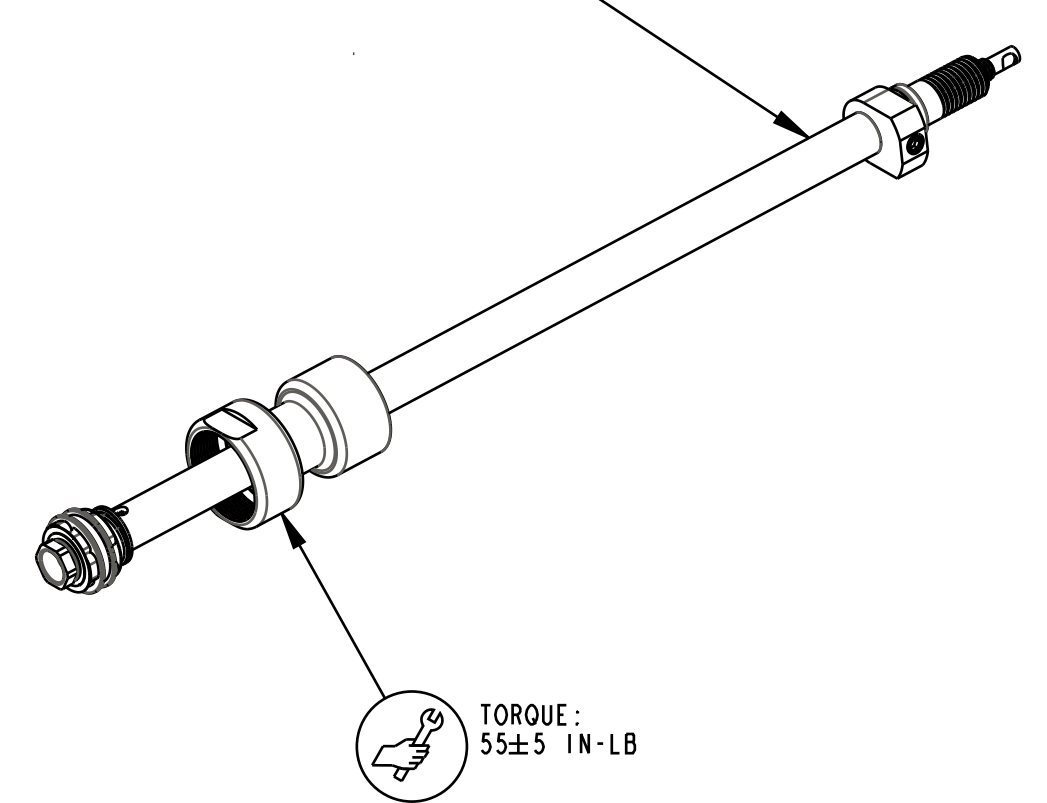


DAMPER SHAFT ASSEMBLIES:
 820-03-570-KIT: 2019 34 SC 27.5in and 29in 120mm Max, 8mm, LIVE Damper Shaft Assy
 820-03-521-KIT: 2018 36 26/27.5/29in 180mm Max, 8mm, LIVE Damper Shaft Assy
 820-03-520-KIT: 2018 34 26/27.5/29in 130-160mm, 8mm, LIVE Damper Shaft Assy
 820-03-516-KIT: 2018 32 27.5/29in 80-100mm, 8mm, Lightweight LIVE Damper Shaft Assy

PRESSURE TUBES:
 207-11-131: Pressure Tube, [15.5mm Ø X 170mm TLG] LIVE Lightweight 32 26/27.5/29 80-100 (34mm SC)
 207-11-133: Pressure Tube, [15.5mm Ø X 232mm TLG] LIVE Lightweight, All 36
 207-11-132: Pressure Tube, [15.5mm Ø X 210mm TLG] LIVE LW32 26/27.5 110-150 29 110-130, All 34
 207-11-130: Pressure Tube, 15.5 Bore, FIT4 Lightweight, 100mm Max Travel (32mm SC)



TORQUE:
55±5 IN-LB

TOPCAPS:
 210-24-083: Topcap, 36, 2017 LIVE Fork, Short
 210-24-114: Topcap, 34, 2017 LIVE Fork, Short
 210-24-113: Topcap, 32, 2017 LIVE Fork, Short, SC, CF

TORQUE:
55±5 IN-LB

038-00-065
Retaining Ring: Snap, Smalley, Internal, Custom, Ø.923 BORE

241-01-029
Bladder retainer, 011 RC2

210-22-420
Lower Bladder Ring, Snap Ring, 011 RC2

210-24-002
Bladder, 010 RL-RLC

210-22-887
Bladder Seal Ring Lower, FIT4

038-00-142
Retaining Ring: Snap, Smalley, Internal, VH-62, Ø.610 Bore

(040-06-060)
039-00-143
Spring, Comp Check, 010 RL-RLC

040-06-060
Valve: [.600 OD X .377 ID X .006 TH]

029-08-072
Seals: O-Ring [23.0MM ID x 1.5MM CS] Metric, N-70, Static

029-08-013
Seals: O-Ring [24.0MM ID x 1.5MM CS] Metric, N-70, Static

COMPRESSION VALVING:
 820-03-558-KIT: 2018 LIVE Fork Compression Valving, CL, BF, 1 Bleed
 820-03-550-KIT: 2018 LIVE Fork Compression Valving, CL, BL, 3 Bleed
 820-03-549-KIT: 2018 LIVE Fork Compression Valving, CL, BL, 2 Bleed
 820-03-545-KIT: 2018 LIVE Fork Compression Valving, CL, BXL, 3 Bleed

815-00-077-KIT
2019 LIVE Compression Housing Sub Assy

010-01-000
Ball [Ø 0.1250] Steel

TORQUE:
12±1 IN-LB

018-01-004
Fastener, Standard: Screw [#8-32 X 0.250 TLG] 303 SS, Socket Set Half Dog Point

010-01-003
Ball [Ø 0.1875] Delrin

038-01-075
Retaining Ring: Wire, Main Housing, 2017 LIVE

TOPCAP O-RINGS:
 029-03-025-A: Seals:O-Ring [(-025) .070 C.S. X 1.176 ID] Standard, N-70, Static (36mm)
 029-03-024-A: Seals:O-Ring [(-024) .070 C.S. X 1.114 ID] Standard, N-70, Static (34mm)
 029-03-023-A: Seals:O-Ring [(-023) .070 C.S. X 1.051 ID] Standard, N-70, Static (32mm)

210-24-399
Solenoid End Cap Retainer Plate, Live Valve

241-02-121
Screw [M2 x 8mm] Socket, Flathead, SST

TORQUE:
5.0±0.5 IN-LB

(241-02-121)

INSTALL AFTER OIL FILL

INSTALL AFTER DAMPER IS ASSEMBLED IN FORK CHASSIS

FOX Factory, Inc.
 130 Hangar Way, Watsonville, CA 95076 USA Ph 831-768-1100
 TITLE: **2019 LIVE Valve**
Cartridge Assemblies AM
 SIZE DWG. NO. D
 PLOT SCALE NONE SHEET 1 OF 1

PROPRIETARY - THIS DOCUMENT CONTAINS CONFIDENTIAL, PROPRIETARY INFORMATION THAT IS FOR PROPERTY. DO NOT DISCLOSE TO OR DUPLICATE FOR OTHERS EXCEPT AS AUTHORIZED BY FOX.