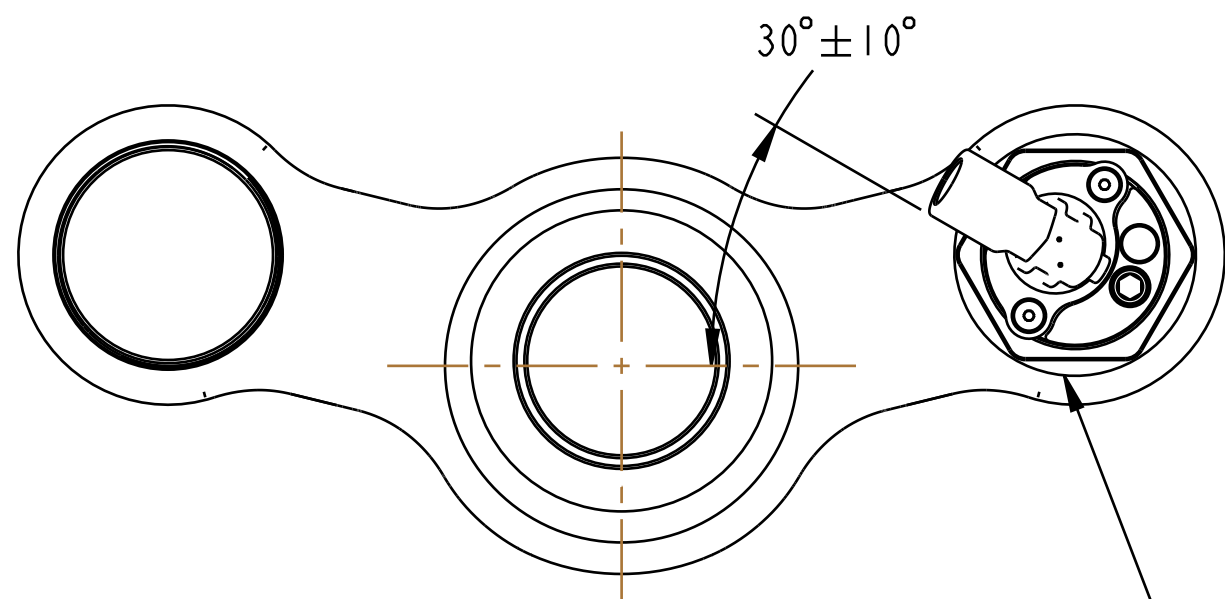


4

3

2

1



REFERENCE ONLY
(FOR INSTALLATION
INTO FORK)

TORQUE:
50±5 IN. LB FOR 10mm HEX
80±5 IN. LB FOR 15mm HEX

IMPORTANT:
AFTER TOPCAP IS TORQUED,
ALIGN ADJUSTER AND CAP AT ANGLES SHOWN

FASTENERS:
019-01-048: Fastener, Standard (Metric): Screw [M2.5 X 6mm] Socket Head Cap, Stainless (SC only)
018-01-004-A: Fastener, Standard: Screw [#8-32 X 0.250 TLG] 303 SS, Socket Set Half Dog Point (Non-SC)

LOCTITE:
BLUE 242
ONE DROP

TORQUE:
5±1 IN. LB.

REBOUND KNOBS:
210-24-367: Knob: Rebound Adj, Extruded, 2019 FIT4 Lightweight, 34, 29in (34 SC)
210-03-120: Knob, Rebound, 2011 36_40 (Non-SC)
210-24-178: Knob: Rebound Adj, Extruded, FIT4 Lightweight, 29in Fork, Long (32 SC)

BOTTOM NUTS:
241-00-005: Fastener, Custom: Nut, Bottom, R_RL_RLC (34mm SC)
241-00-022: Fastener, Custom: Nut, Bottom, 011 (36mm)
241-00-011: Fastener, Custom: Nut, Bottom, R (34mm)

CRUSH WASHERS:
241-01-002-C: Fastener, Custom: Crush Washer, Plastic, R_RL_RLC (34mm SC)
241-01-011: Fastener, Custom: Crush Washer, Plastic, 13mm (34mm and 36mm)

BOTTOM STUD INTERFACE PARTS:
820-05-506-KIT: 2019 34 SC Bottom Stud Interface Parts, 29in Fork
820-05-377-KIT: 2016 FIT4 Bottom Stud Interface Parts 36 and 40
820-05-335-KIT: 2016 FIT4 Bottom Stud Interface Parts 34
820-05-228-KIT: 2017 FIT4 Bottom Stud Interface Parts, 32, SC, 29in Fork

TORQUE:
220±5 IN LB
INTO FORK

CARTRIDGE ASSEMBLIES

FOX **FOX Factory, Inc.** Ph 831-768-1100
130 Hangar Way, Watsonville, CA 95076 USA Fax 831-768-9312

TITLE
2019 LIVE Valve
Cartridge Assemblies Complete AM

SIZE DWG. NO.
C

PLOT SCALE NONE SHEET 1 OF 1

PROPRIETARY
THIS DOCUMENT CONTAINS CONFIDENTIAL, PROPRIETARY INFORMATION
THAT IS FOX PROPERTY. DO NOT DISCLOSE TO OR DUPLICATE
FOR OTHERS EXCEPT AS AUTHORIZED BY FOX.

4

3

2

Pr oE ASSEM