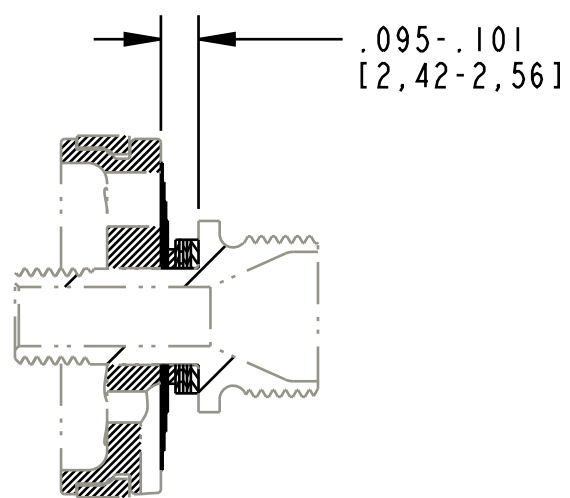
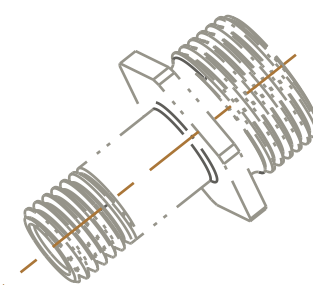
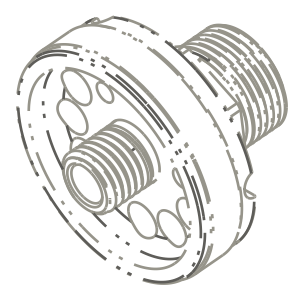


SCALE 2:1



SECTION A-A



050-01-011  
 Plate: Back-Up [0.400 OD X 0.252 ID X 0.020 TH, Ø 0.375 Shaft] Steel

044-10-040  
 Valve: [.400 OD X .252 ID X .010 TH]

(044-10-040)

(044-10-040)

(044-10-040)

044-20-035  
 Valve: [.350 OD X .252 ID X .020 TH]

044-04-050  
 Valve: [.500 OD X .252 ID X .0045 TH]

044-04-060  
 Valve: [.600 OD X .252 ID X .0045 TH]

044-04-070  
 Valve: [.700 OD X .252 ID X .0045 TH]

044-04-080  
 Valve: [.800 OD X .252 ID X .0045 TH]

- PROPRIETARY -  
 THIS DOCUMENT CONTAINS CONFIDENTIAL, PROPRIETARY INFORMATION  
 THAT IS FOX PROPERTY. DO NOT DISCLOSE TO OR DUPLICATE  
 FOR OTHERS EXCEPT AS AUTHORIZED BY FOX.

**FOX** **FOX Factory, Inc.** Ph 831-768-1100  
 130 Hangar Way, Watsonville, CA 95076 USA Fax 831-768-9312

TITLE  
 Valve Stack Assy: 2019 Float LIVE Valve  
 Main Piston, Compression Medium, CM

SIZE DWG. NO. **805-05-405-KIT**

PLOT SCALE 1.5:1 SHEET 1 OF 1