

4

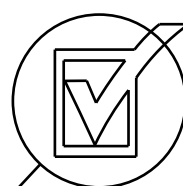
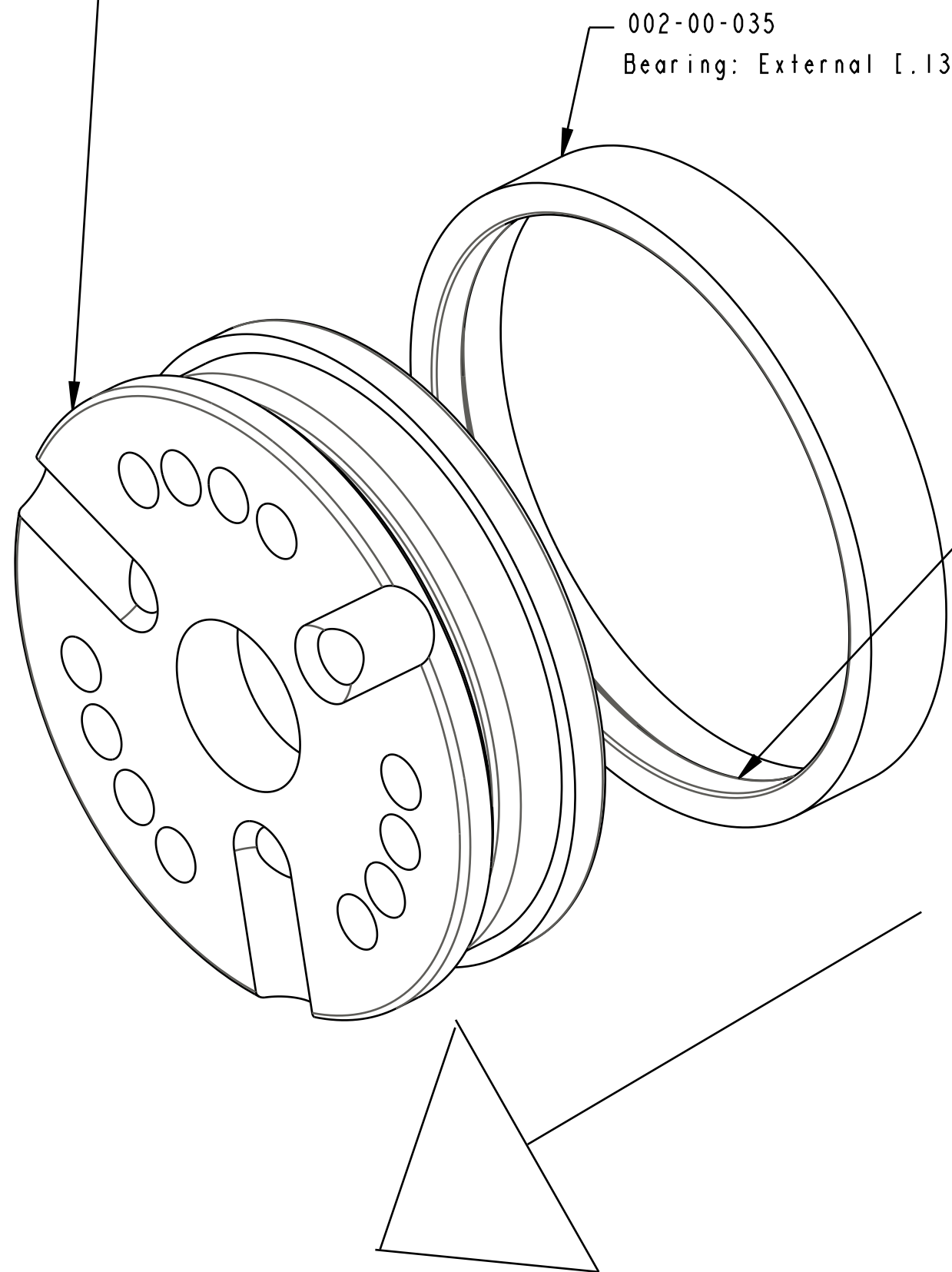
3

2

1

Piston: Main, Float DPS, Zero Dish, NC

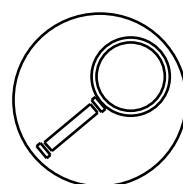
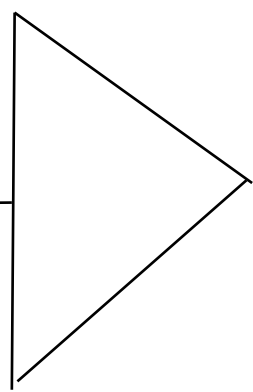
002-00-035  
Bearing: External [.136 W x .941 OD x .031 TH] W/Step



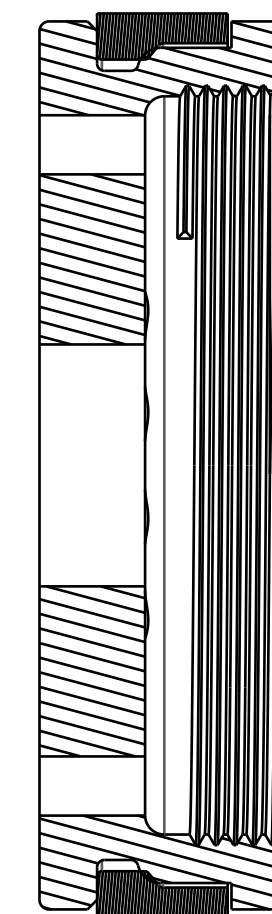
CHECK:  
ORIENTATION OF  
INNER RIB FEATURE



NOTE:  
PUSH PISTON ASSEMBLY THRU SIZING  
BORE IN THIS ORIENTATION ONLY



NOTE:  
INSTALLATION DIRECTION  
OF 002-00-035



SECTION A-A

**FOX** **FOX Factory, Inc.** Ph 831-768-1100  
 130 Hangar Way, Watsonville, CA 95076 USA Fax 831-768-9312

TITLE  
 Piston Assy: Damping,  
 FLOAT DPS Anti-Clunk, Linear

SIZE DWG. NO.  
**C** 805-02-304-KIT

PLOT SCALE 5:1:1 SHEET 1 OF 1

- PROPRIETARY -  
 THIS DOCUMENT CONTAINS CONFIDENTIAL, PROPRIETARY INFORMATION  
 THAT IS FOX PROPERTY. DO NOT DISCLOSE TO OR DUPLICATE  
 FOR OTHERS EXCEPT AS AUTHORIZED BY FOX.

4

3

2

1